

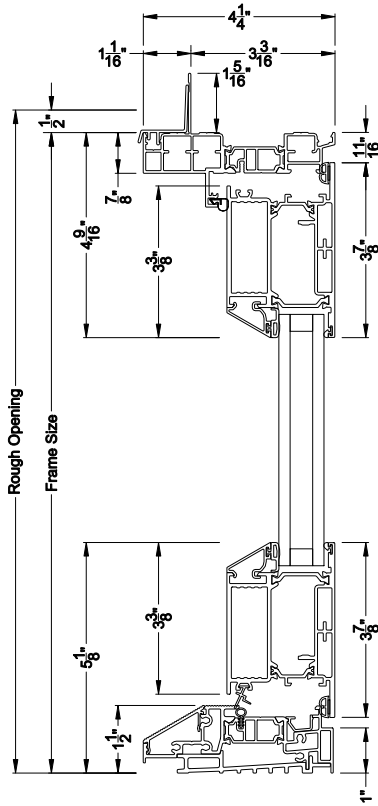
Weather Shield®

VUE Collection™

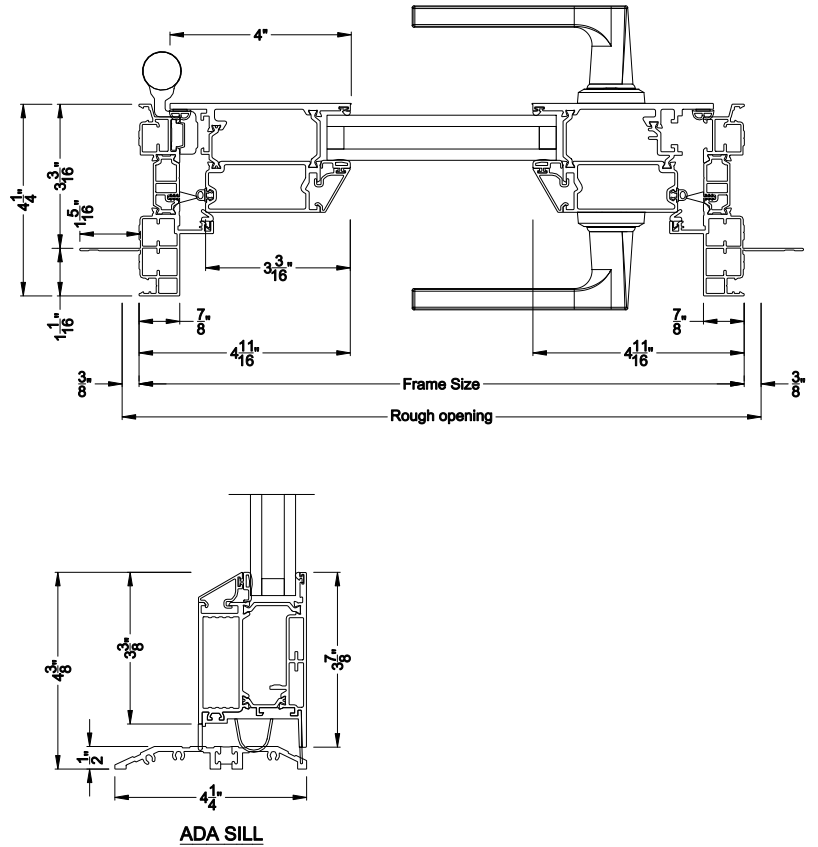
Inswing Hinged Doors

CROSS SECTION DETAILS

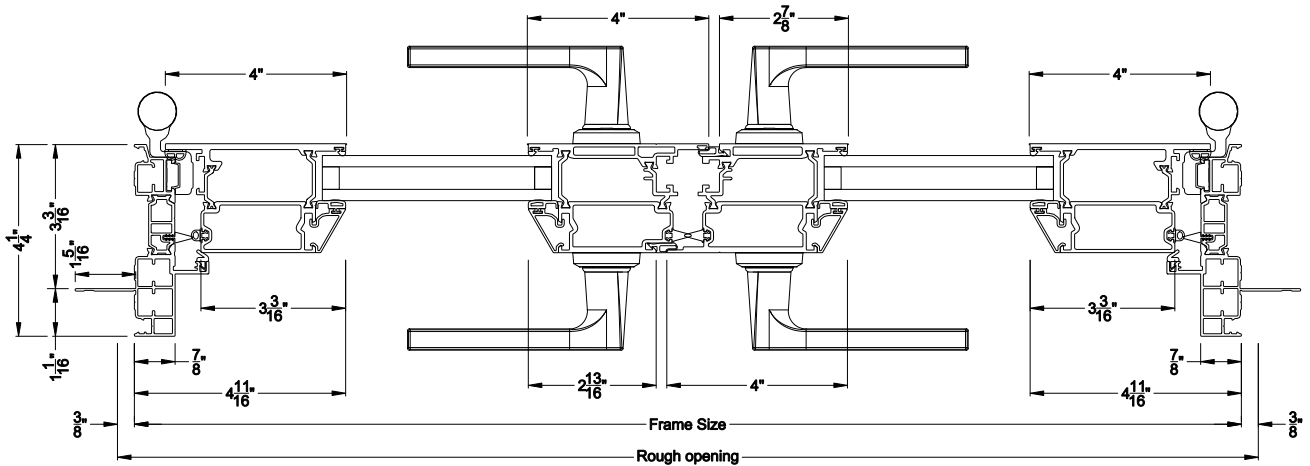
VUE COLLECTION INSWING HINGED DOOR (4501)
Vertical Sections - Beveled Bead



VUE COLLECTION INSWING HINGED DOOR (4501)
Horizontal Sections - 1- Panel - Beveled Bead



VUE COLLECTION INSWING HINGED DOOR (4501)
Horizontal Sections - 2- Panel - Beveled Bead



Note: All dimensions are approximate. Weather Shield reserves the right to change specifications without notice.

Weather Shield®

VUE Collection™

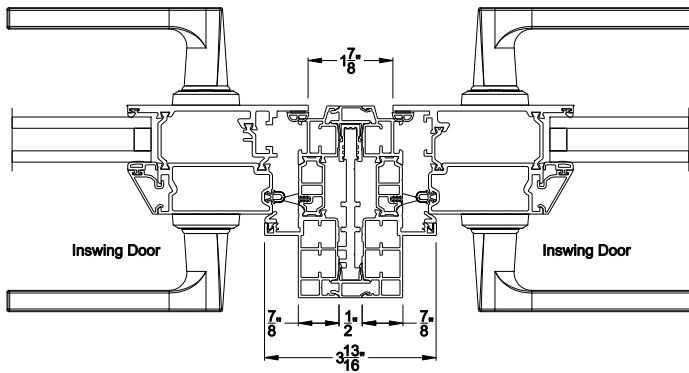
Inswing Hinged Doors

CROSS SECTION DETAILS

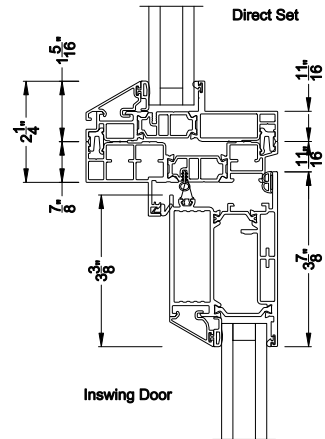
VUE COLLECTION INSWING HINGED DOOR

Mullion Sections - Beveled Bead

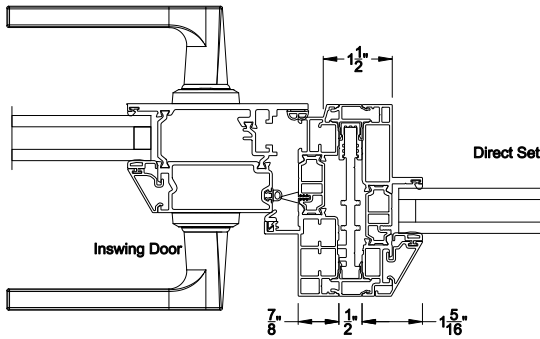
Mull Section 1/2" Aluminum Reinforcement



Stack Section Direct Stack to Direct-set

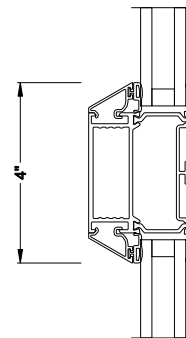


Mull Section 1/2" Aluminum Reinforcement

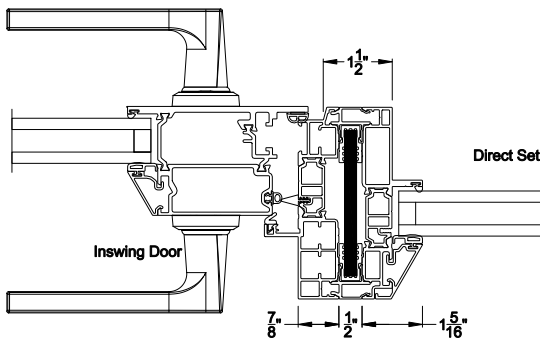


VUE COLLECTION INSWING HINGED DOOR (4501)

Center Rail - Beveled Bead



Mull Section 1/2" Steel Reinforcement



Note: All dimensions are approximate. Weather Shield reserves the right to change specifications without notice.