

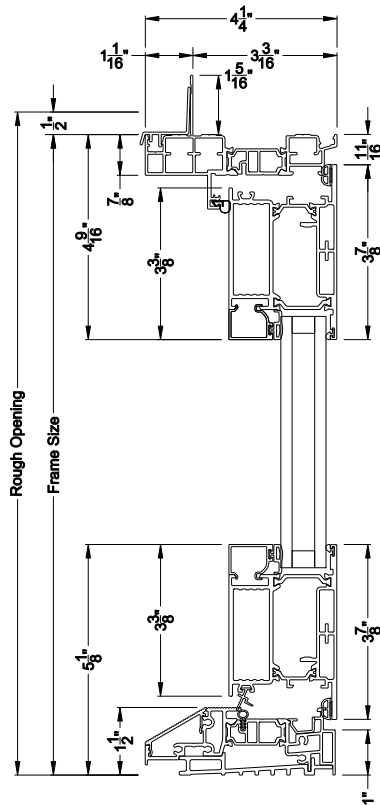
Weather Shield®

VUE Collection™

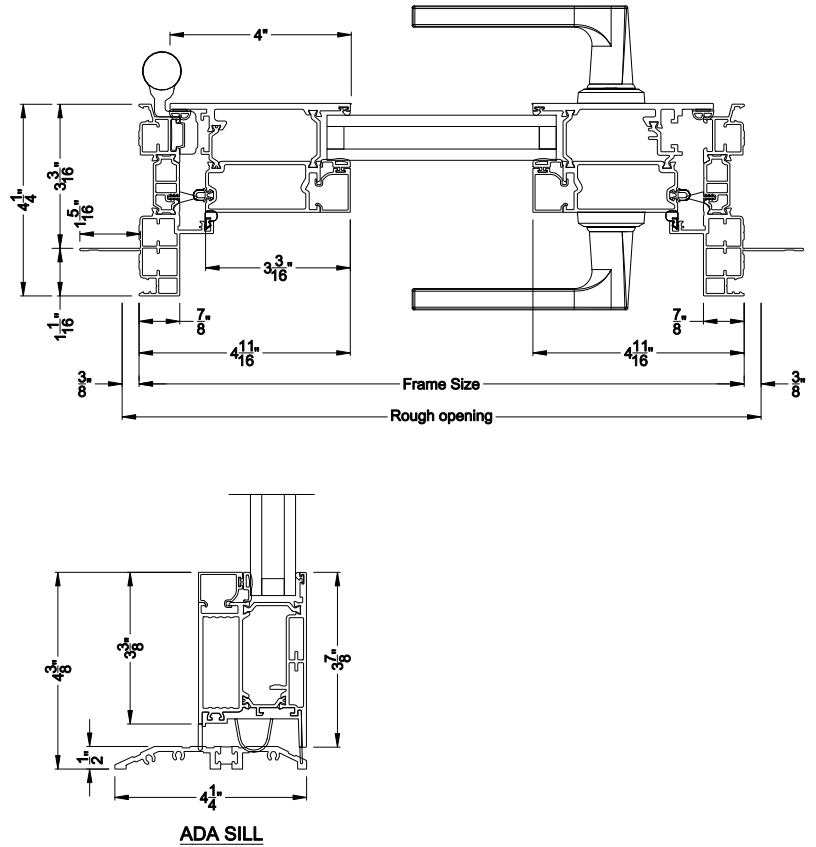
Inswing Hinged Doors

CROSS SECTION DETAILS

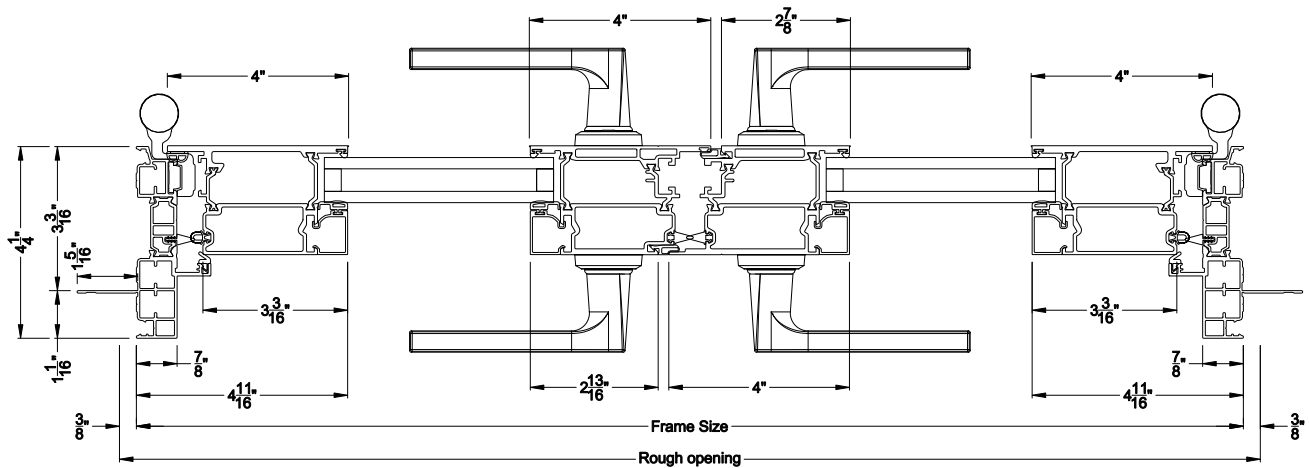
VUE COLLECTION INSWING HINGED DOOR (4501)
Vertical Sections - Square Bead



VUE COLLECTION INSWING HINGED DOOR (4501)
Horizontal Sections - 1- Panel - Square Bead



VUE COLLECTION INSWING HINGED DOOR (4501)
Horizontal Sections - 2- Panel - Square Bead



Note: All dimensions are approximate. Weather Shield reserves the right to change specifications without notice.

Weather Shield®

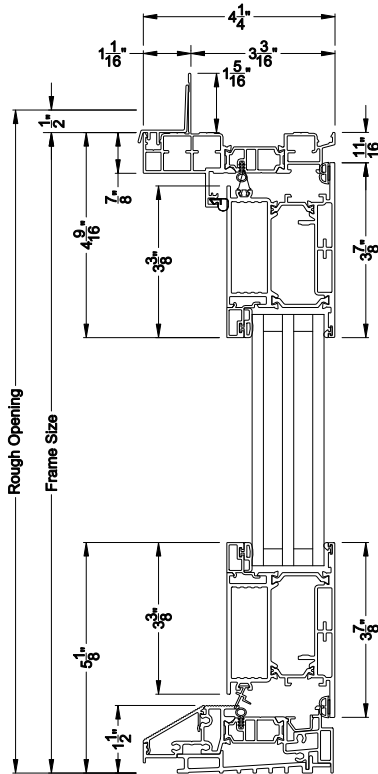
VUE Collection™

Inswing Hinged Doors

CROSS SECTION DETAILS

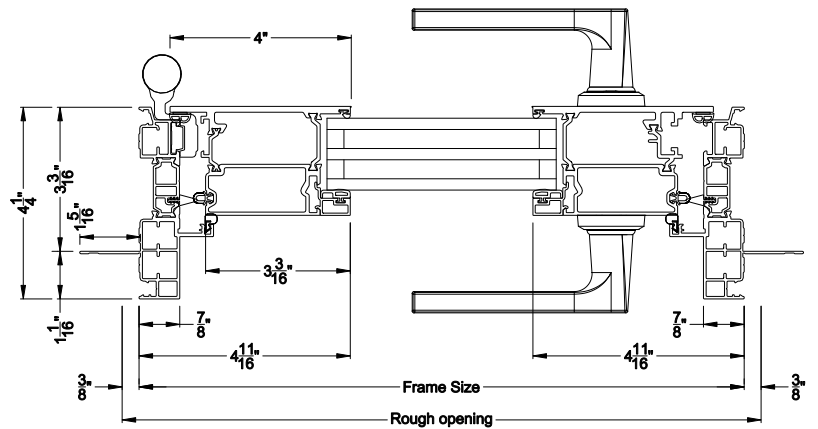
VUE COLLECTION INSWING HINGED DOOR (4501)

Vertical Sections - ES Glass - Square Bead



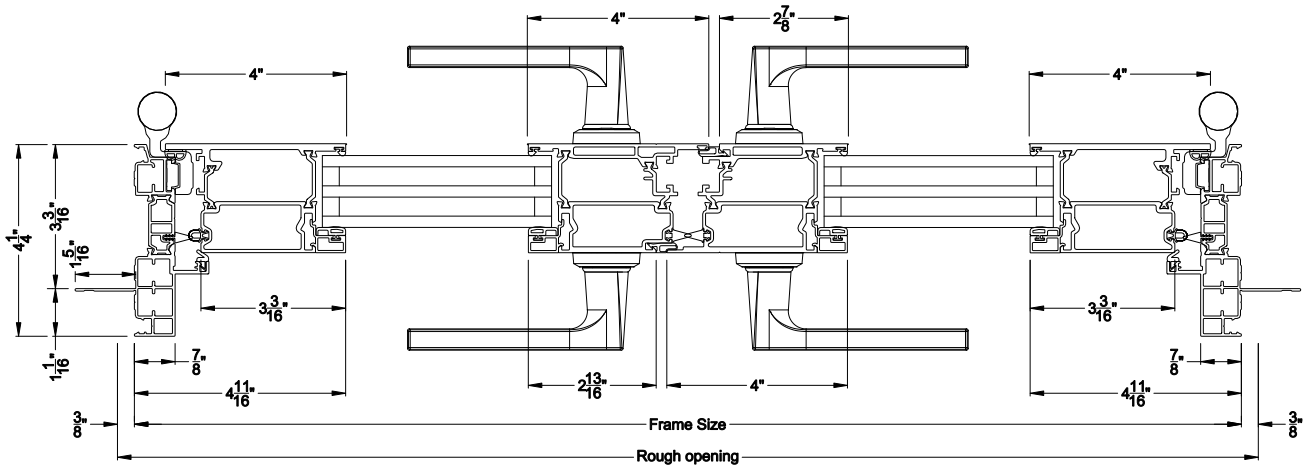
VUE COLLECTION INSWING HINGED DOOR (4501)

Horizontal Sections - 1- Panel - ES Glass - Square Bead



VUE COLLECTION INSWING HINGED DOOR (4501)

Horizontal Sections - 2- Panel - ES Glass - Square Bead



Note: All dimensions are approximate. Weather Shield reserves the right to change specifications without notice.

Weather Shield®

VUE Collection™

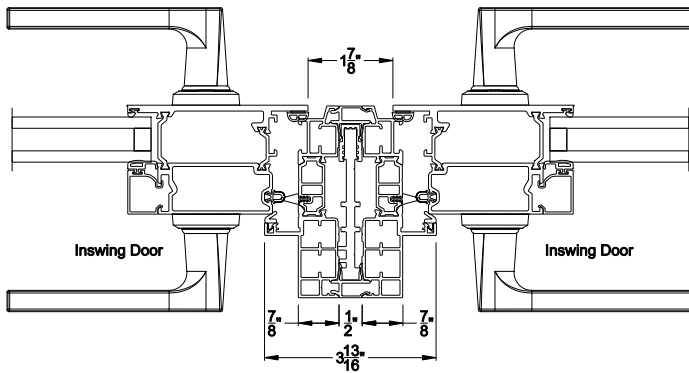
Inswing Hinged Doors

CROSS SECTION DETAILS

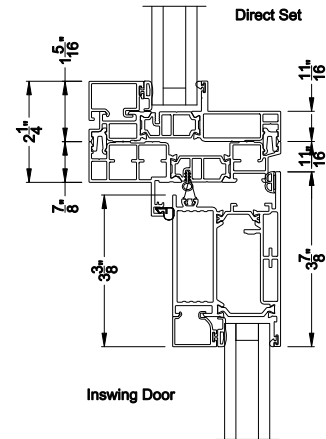
VUE COLLECTION INSWING HINGED DOOR

Mullion Sections - Square Bead

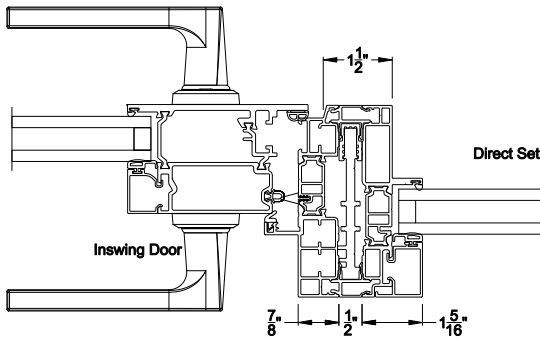
Mull Section 1/2" Aluminum Reinforcement



Stack Section Direct Stack to Direct-set



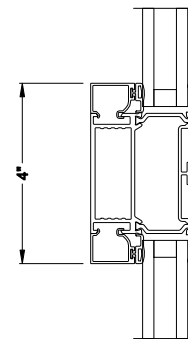
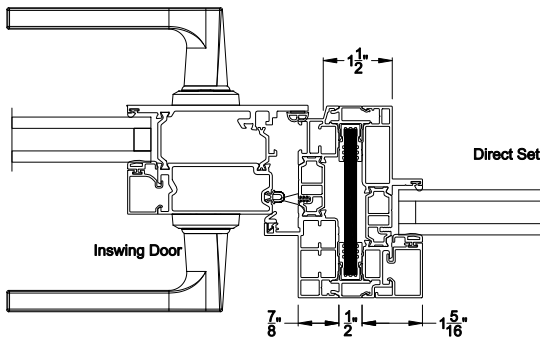
Mull Section 1/2" Aluminum Reinforcement



VUE COLLECTION INSWING HINGED DOOR (4501)

Center Rail - Square Bead

Mull Section 1/2" Steel Reinforcement



Note: All dimensions are approximate. Weather Shield reserves the right to change specifications without notice.