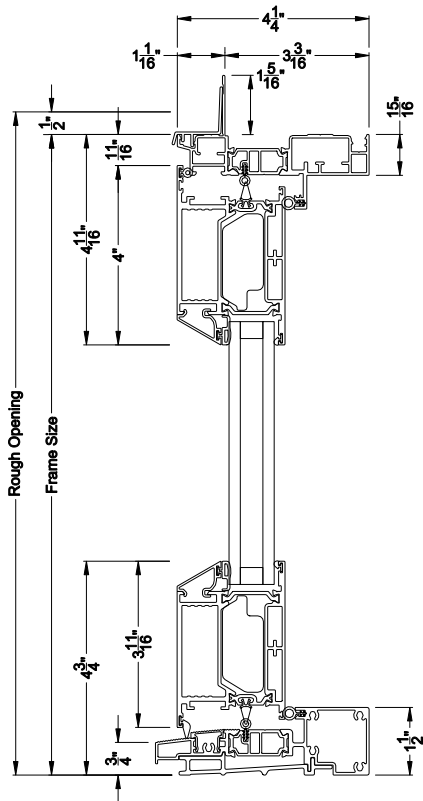
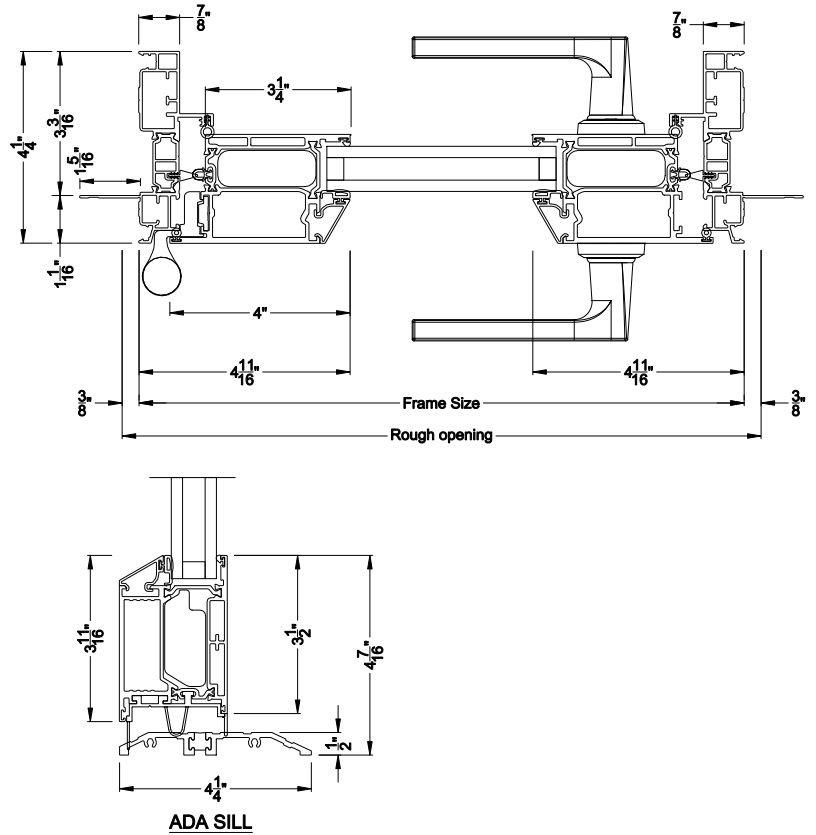


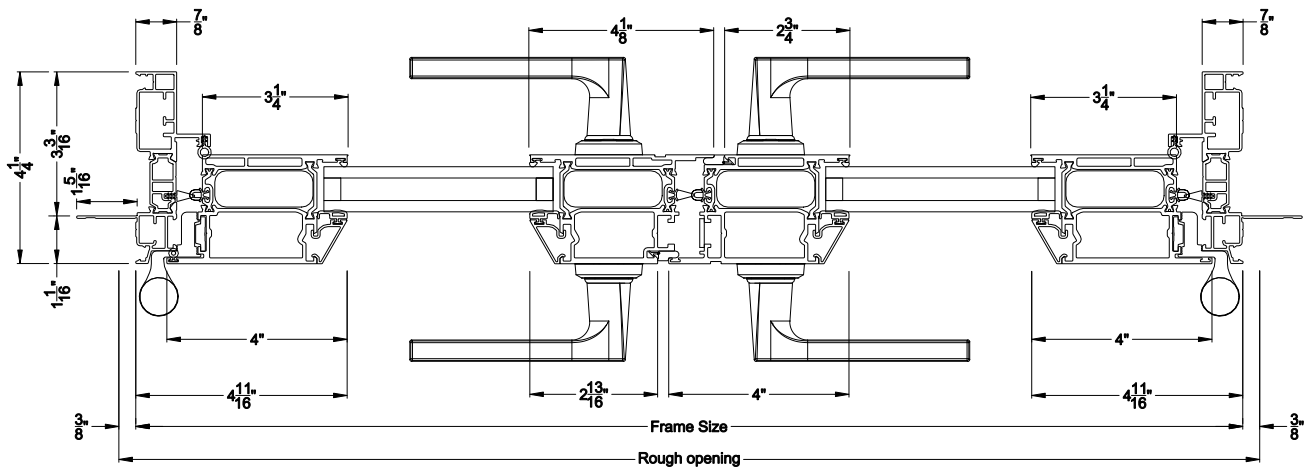
**VUE COLLECTION OUTSWING HINGED DOOR (4601)**  
Vertical Sections - Beveled Bead



**VUE COLLECTION OUTSWING HINGED DOOR (4601)**  
Horizontal Sections - 1- Panel - Beveled Bead



**VUE COLLECTION OUTSWING HINGED DOOR (4601)**  
Horizontal Sections - 2- Panel - Beveled Bead



Note: All dimensions are approximate. Weather Shield reserves the right to change specifications without notice.

# Weather Shield®

## VUE Collection™

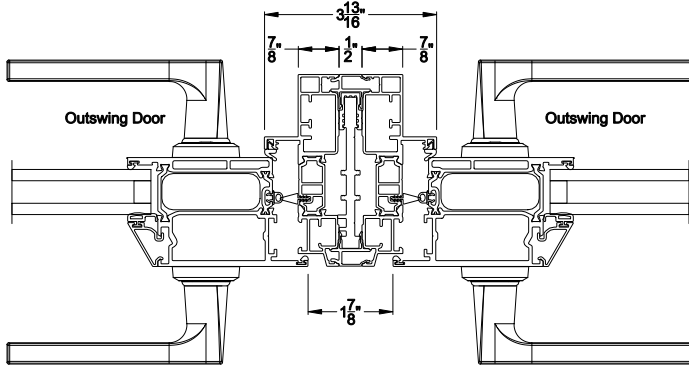
# Outswing Hinged Doors

## CROSS SECTION DETAILS

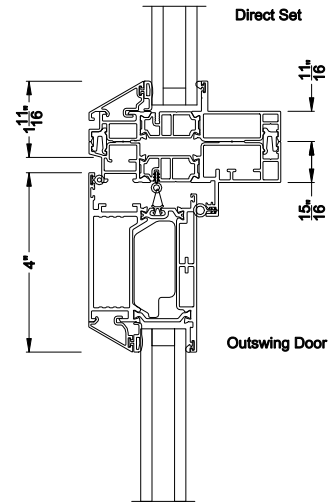
### VUE COLLECTION INSWING HINGED DOOR

Mullion Sections - Beveled Bead

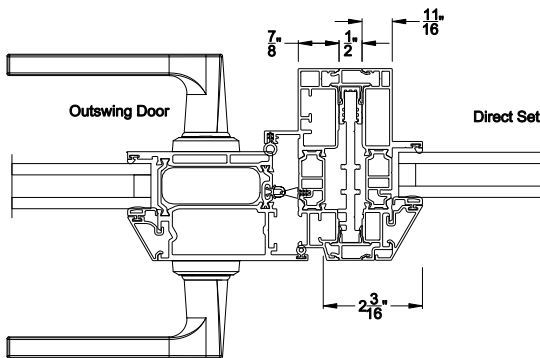
Mull Section 1/2" Aluminum Reinforcement



Stack Section Direct Stack to Direct-set

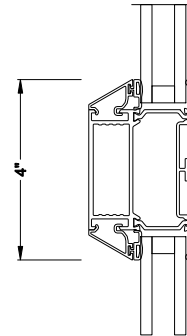


Mull Section 1/2" Aluminum Reinforcement

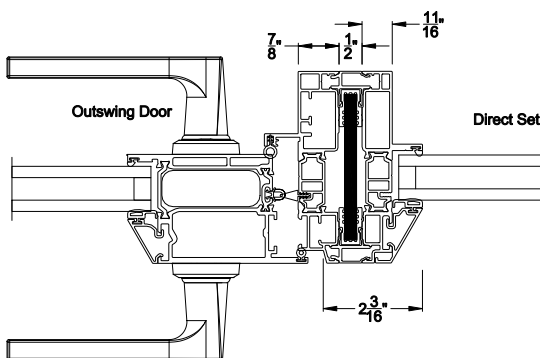


### VUE COLLECTION OUTSWING HINGED DOOR (4601)

Center Rail - Beveled Bead



Mull Section 1/2" Steel Reinforcement



Note: All dimensions are approximate. Weather Shield reserves the right to change specifications without notice.