

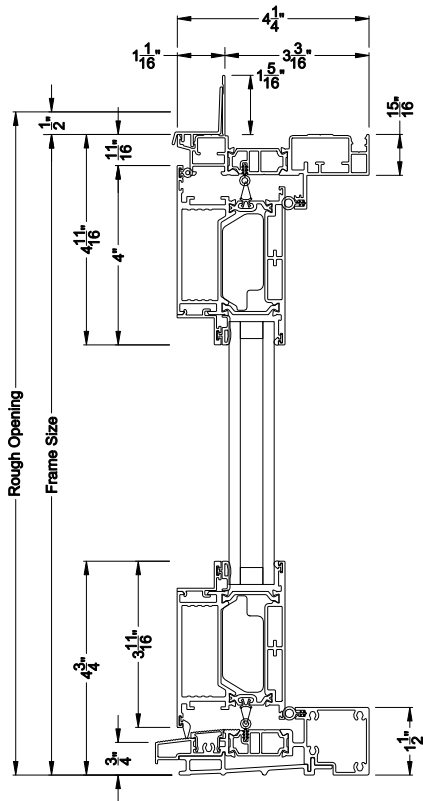
# Weather Shield®

## VUE Collection™

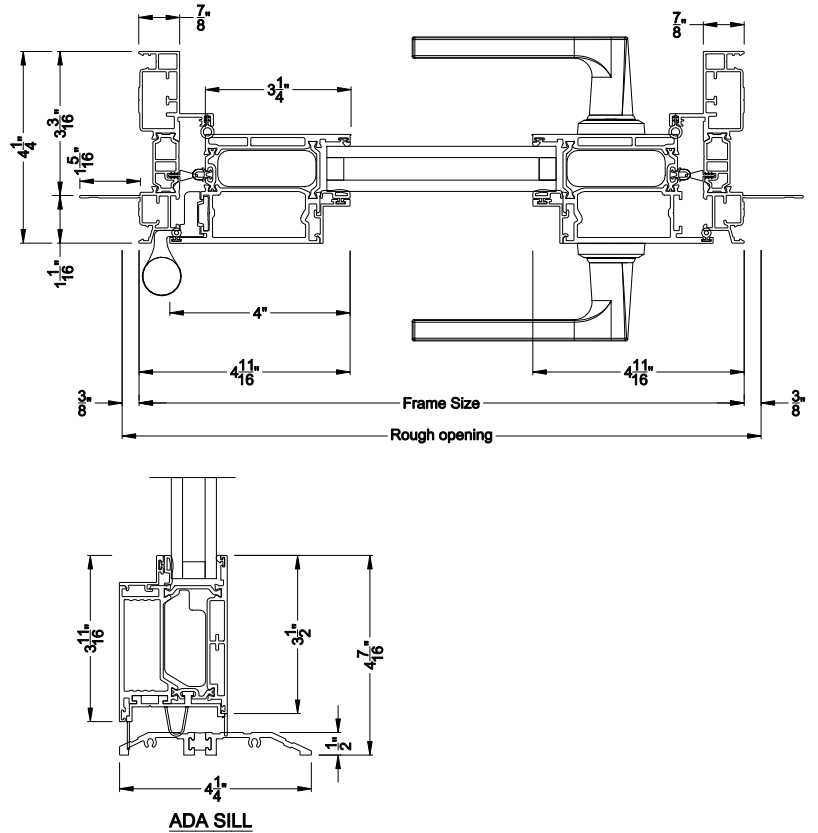
# Outswing Hinged Doors

## CROSS SECTION DETAILS

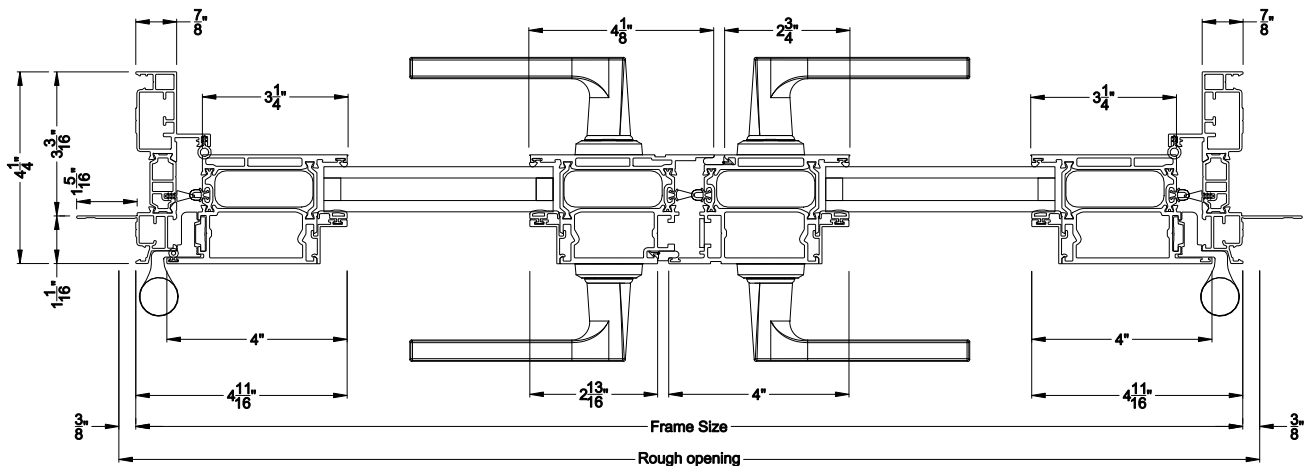
**VUE COLLECTION OUTSWING HINGED DOOR (4601)**  
Vertical Sections - Narrow Bead



**VUE COLLECTION OUTSWING HINGED DOOR (4601)**  
Horizontal Sections - 1- Panel - Narrow Bead



**VUE COLLECTION OUTSWING HINGED DOOR (4601)**  
Horizontal Sections - 2- Panel - Narrow Bead

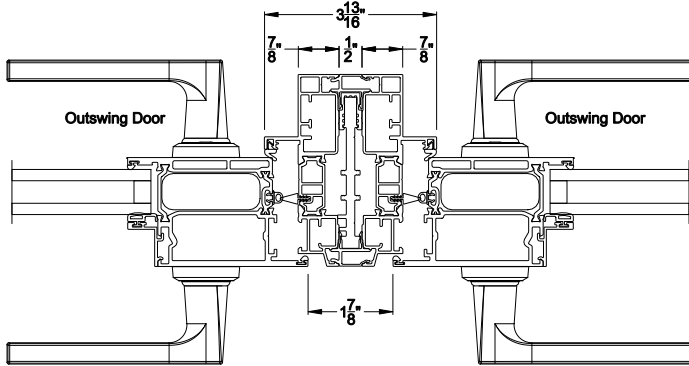


Note: All dimensions are approximate. Weather Shield reserves the right to change specifications without notice.

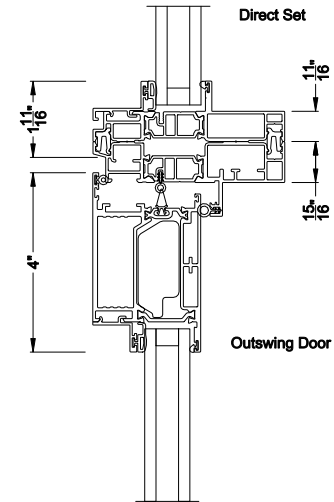
### VUE COLLECTION INSWING HINGED DOOR

Mullion Sections - Narrow Bead

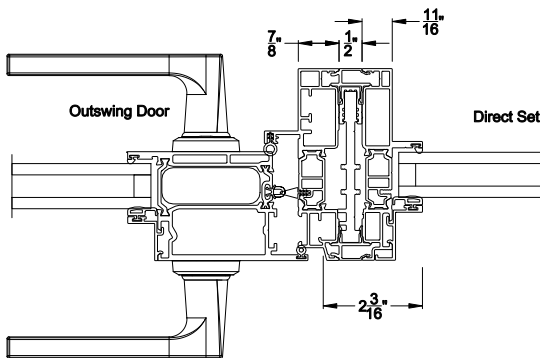
Mull Section 1/2" Aluminum Reinforcement



Stack Section Direct Stack to Direct-set

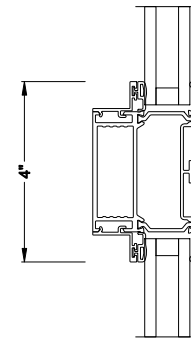


Mull Section 1/2" Aluminum Reinforcement

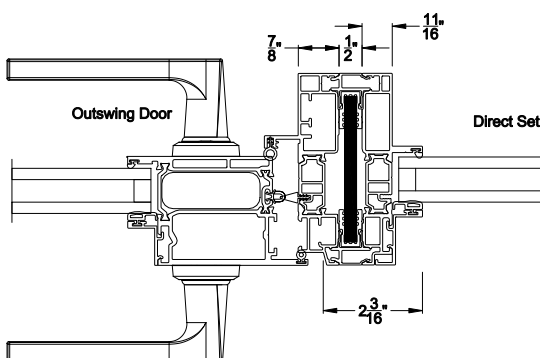


### VUE COLLECTION OUTSWING HINGED DOOR (4601)

Center Rail - Narrow Bead



Mull Section 1/2" Steel Reinforcement



Note: All dimensions are approximate. Weather Shield reserves the right to change specifications without notice.