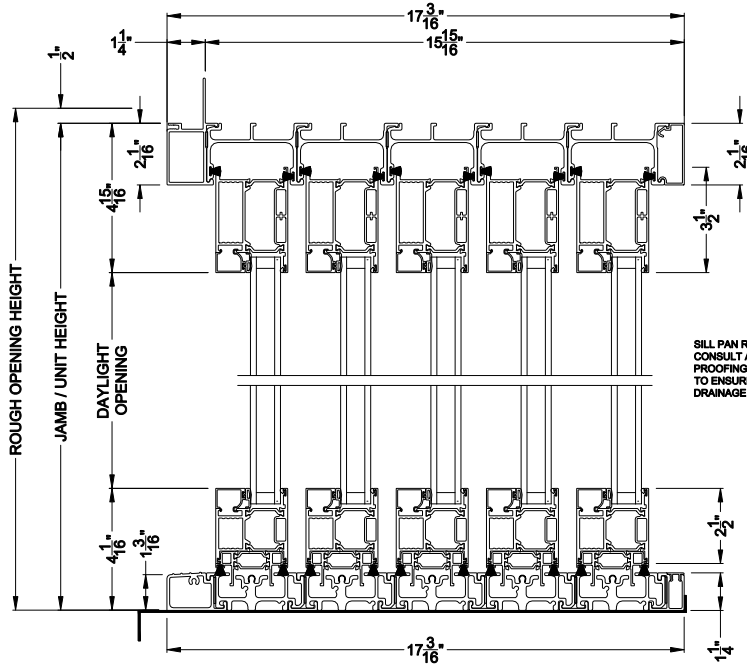


# Weather Shield™

## VUE Collection

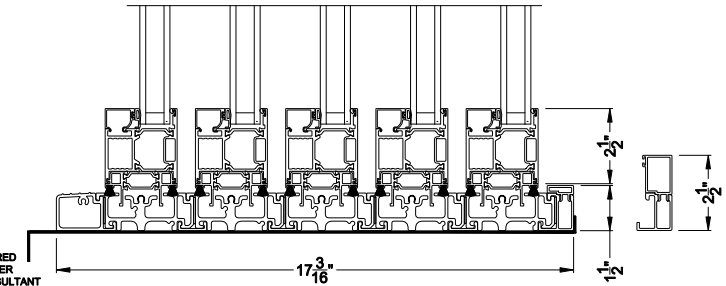
# Multi-Slide Doors

## CROSS SECTION DETAILS

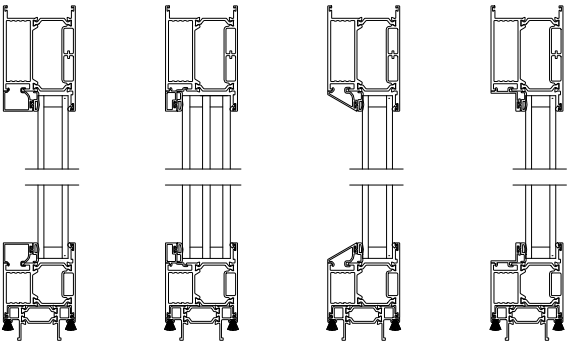


SILL PAN REQUIRED  
CONSULT A WATER  
PROOFING CONSULTANT  
TO ENSURE ADEQUATE  
DRAINAGE

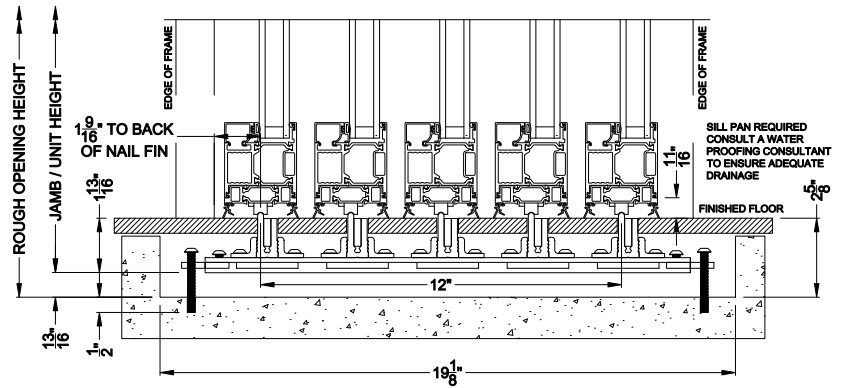
**VUE COLLECTION MULTI-SLIDE PATIO DOOR (4701)**  
Vertical Section - with Sill Riser - 5 or Bi-parting 10 Panel Door



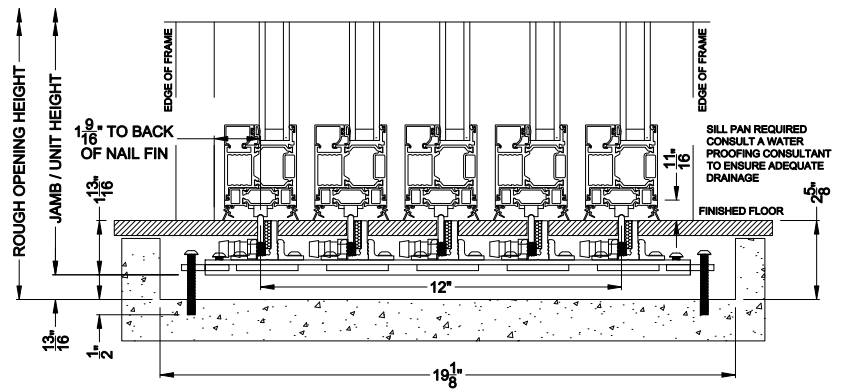
**VUE COLLECTION MULTI-SLIDE PATIO DOOR (4701)**  
Vertical Section - Standard Sill - 5 or Bi-parting 10 Panel Door



Square Bead      ES Glass Square Bead      Beveled Bead      Narrow Bead

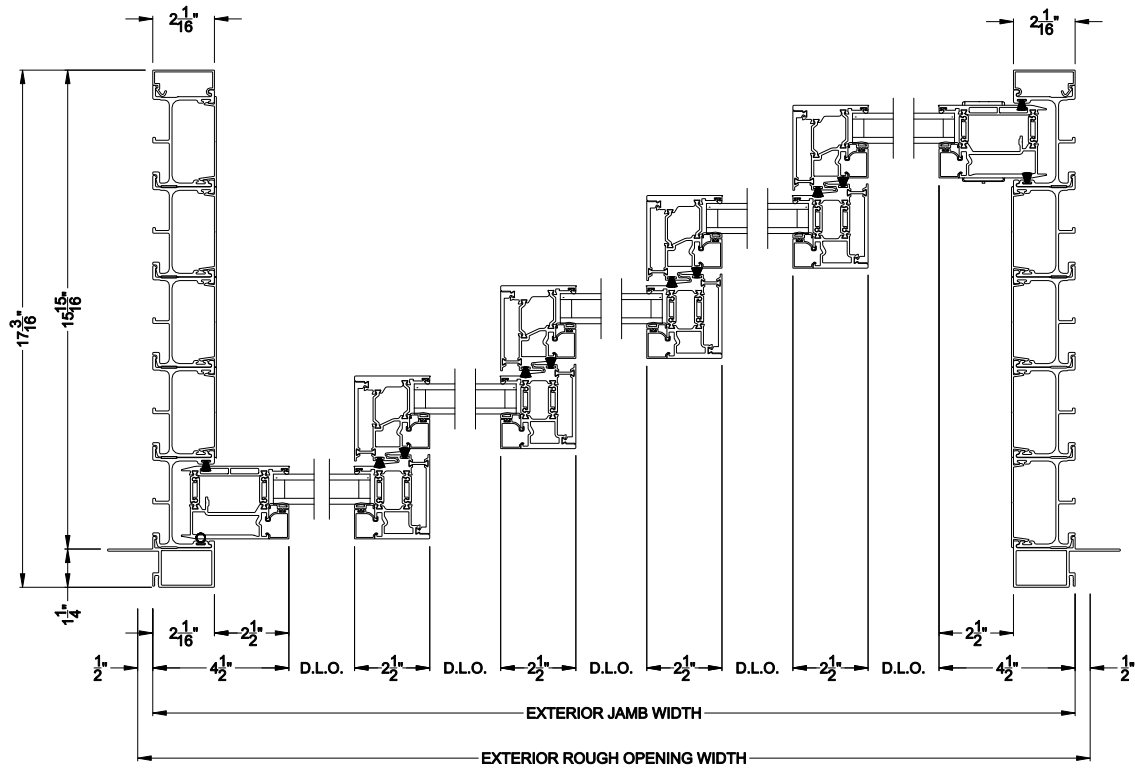


**VUE COLLECTION MULTI-SLIDE PATIO DOOR (4701)**  
Vertical Section - with T-track sill - 5 or Bi-parting 10 Panel Door

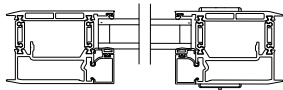


**VUE COLLECTION MULTI-SLIDE PATIO DOOR (4701)**  
Vertical Section - with Drainage T-track sill - 5 or Bi-parting 10 Panel Door

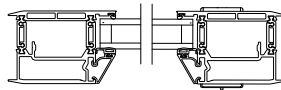
Note: All dimensions are approximate. Weather Shield reserves the right to change specifications without notice.



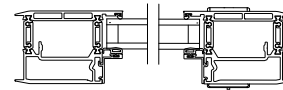
**VUE COLLECTION MULTI-SLIDE PATIO DOOR (4701)**  
Horizontal Section - 5 Panel Door



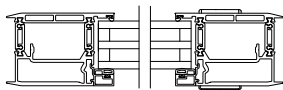
Square Bead



Beveled Bead



Narrow Bead



ES Glass Square Bead

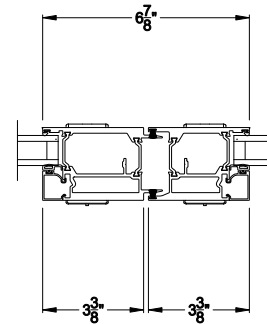
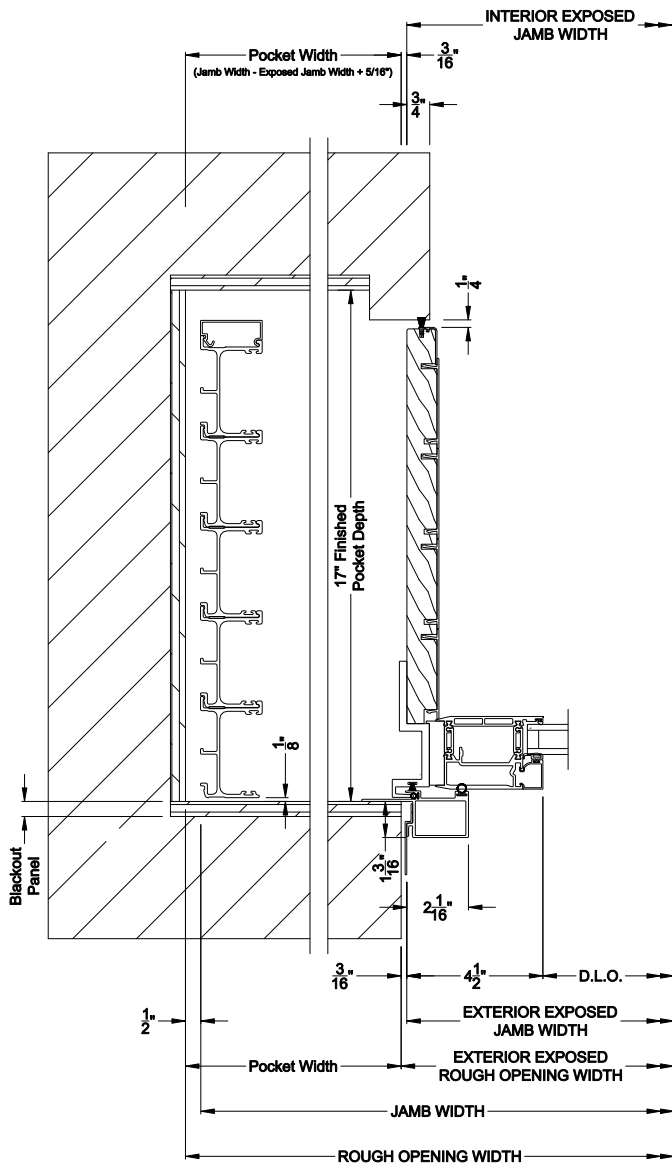
Note: All dimensions are approximate. Weather Shield reserves the right to change specifications without notice.

# Weather Shield™

## VUE Collection

# Multi-Slide Doors

## CROSS SECTION DETAILS



**VUE COLLECTION MULTI-SLIDE PATIO DOOR (4701)**  
Horizontal Section - Bi-parting stiles

**VUE COLLECTION MULTI-SLIDE PATIO DOOR (4701)**  
Horizontal Pocket Section - 5 or Bi-parting 10 Panel Door

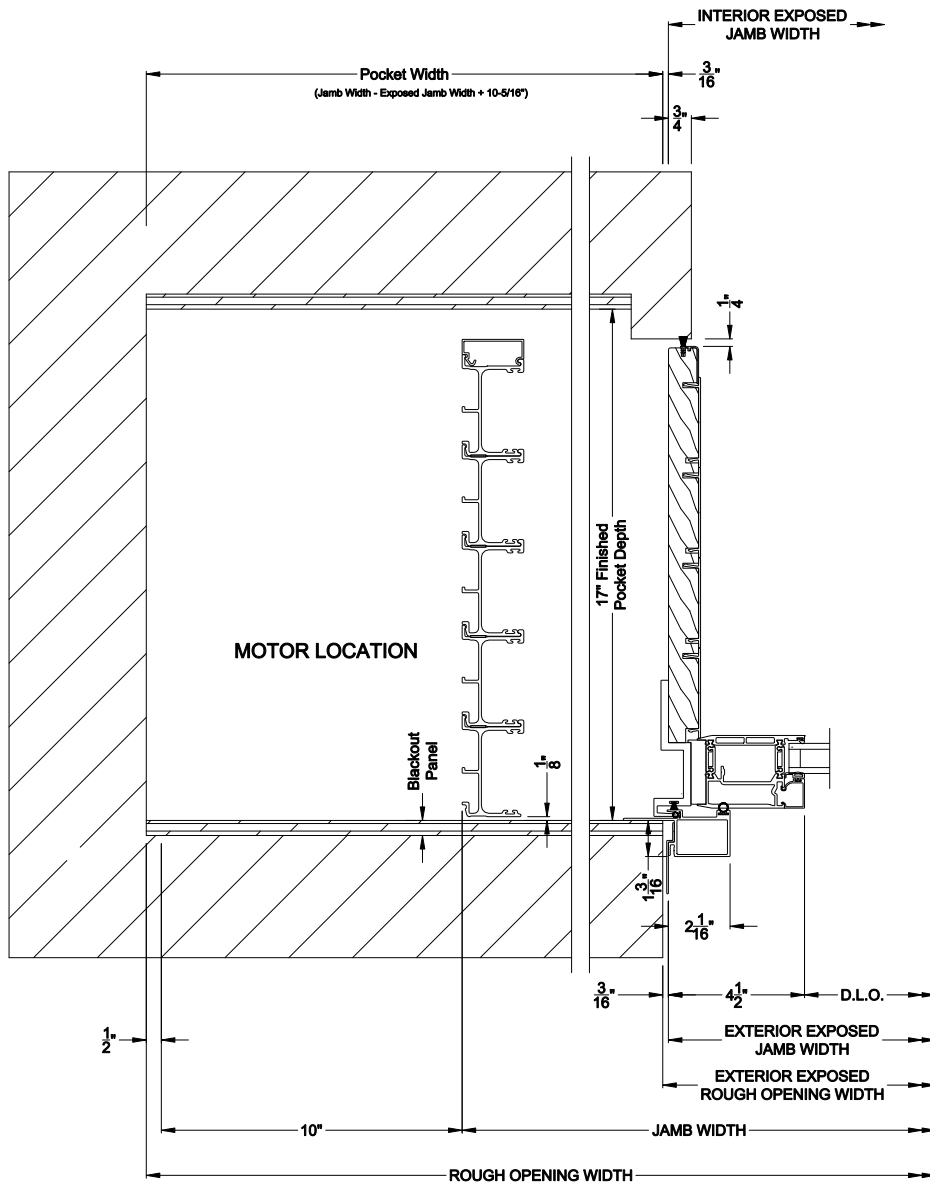
Note: All dimensions are approximate. Weather Shield reserves the right to change specifications without notice.

# Weather Shield™

## VUE Collection

# Multi-Slide Doors

## CROSS SECTION DETAILS



**VUE COLLECTION MULTI-SLIDE PATIO DOOR (4701)**  
 Horizontal Motorized Pocket Section - 5 or Bi-parting 10 Panel Door

Note: All dimensions are approximate. Weather Shield reserves the right to change specifications without notice.



