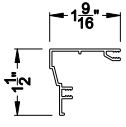
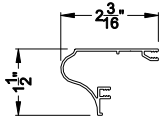
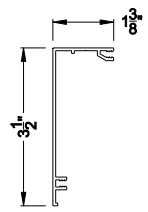
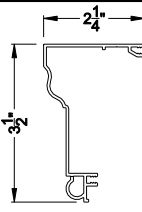
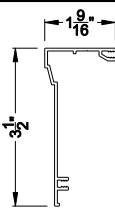
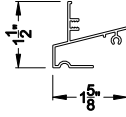
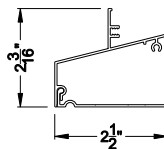
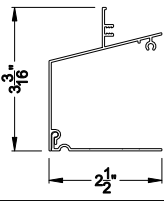
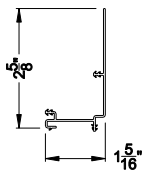
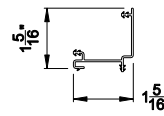
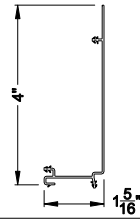
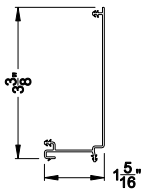
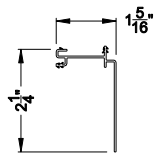
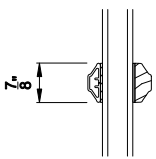
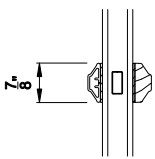
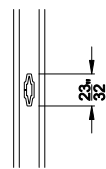


# Weather Shield®

## Classic Series

# Clad Accessories and Trim

## CROSS SECTION DETAILS

		
<b>BRICKMOULD</b>	<b>MONROE</b>	<b>3 1/2" FLAT CASING</b>
		
<b>3 1/2" JEFFERSON</b>	<b>3 1/2" BRICKMOULD</b>	
		
<b>1/2" SILL NOSE</b>	<b>1" SILL NOSE</b>	<b>2" SILL NOSE</b>
		
<b>TRIM FIN</b>	<b>REPLACEMENT TRIM FIN</b>	<b>3-1/2" TRIM FIN</b>
		
<b>3 1/2" REPLACEMENT TRIM FIN</b>	<b>SILL TRIM FIN</b>	
		
<b>7/8" SDL - NO GBG</b>	<b>7/8" SDL - WITH GBG</b>	<b>3/4" CONTOUR GBG</b>

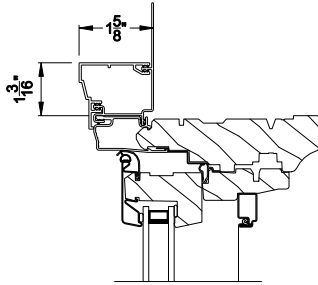
Note: All dimensions are approximate. Weather Shield reserves the right to change specifications without notice.

# Weather Shield®

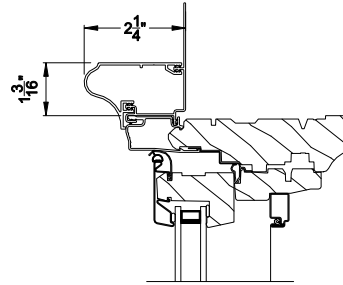
## Classic Series

# Clad Trim Applications

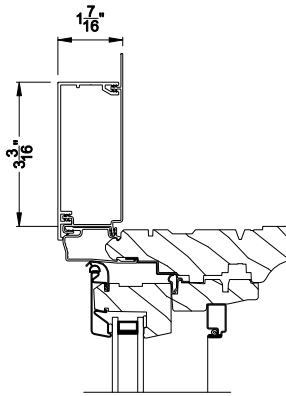
## CROSS SECTION DETAILS



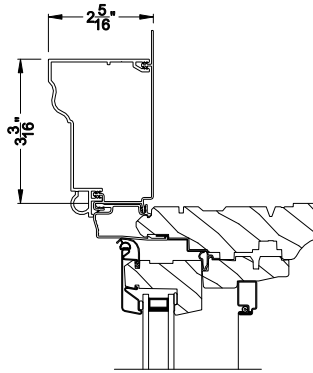
**BRICKMOULD**  
Casement Head Section Detail



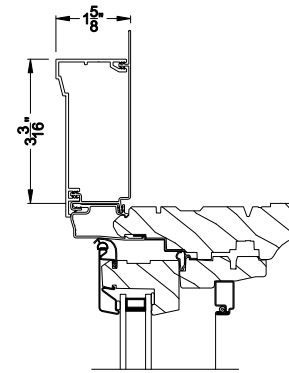
**MONROE**  
Casement Head Section Detail



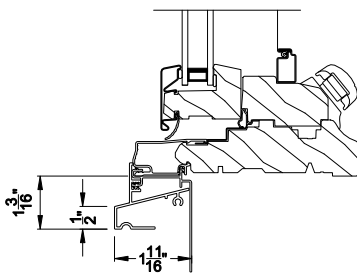
**3 1/2" FLAT CASING**  
Casement Head Section Detail



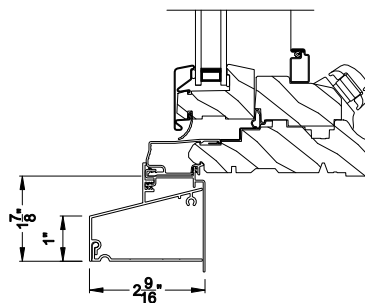
**3 1/2" JEFFERSON**  
Casement Head Section Detail



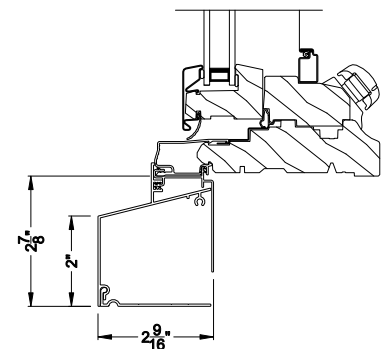
**3 1/2" BRICKMOULD**  
Casement Head Section Detail



**1/2" SILL NOSE**  
Casement Sill Section Detail



**1" SILL NOSE**  
Casement Sill Section Detail



**2" SILL NOSE**  
Casement Sill Section Detail

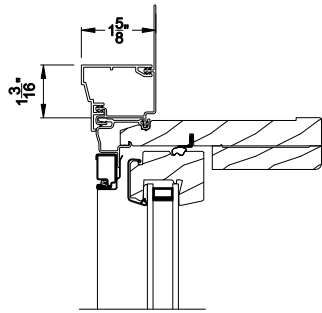
Note: All dimensions are approximate. Weather Shield reserves the right to change specifications without notice.

# Weather Shield®

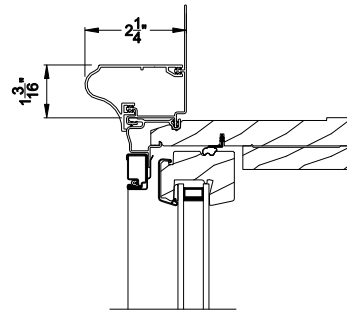
## Classic Series

# Clad Trim Applications

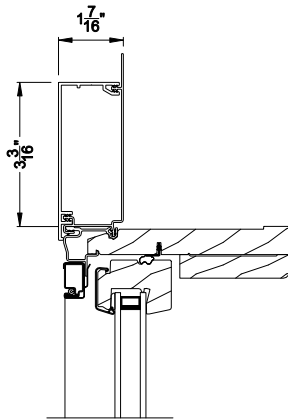
## CROSS SECTION DETAILS



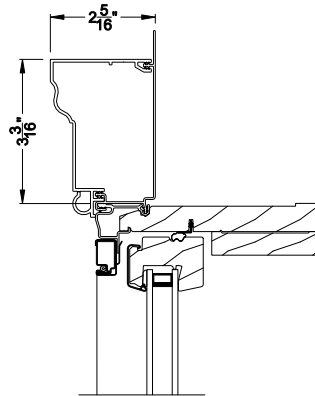
**BRICKMOULD**  
Double Hung Head Section Detail



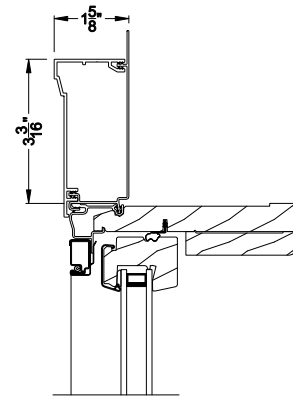
**MONROE**  
Double Hung Head Section Detail



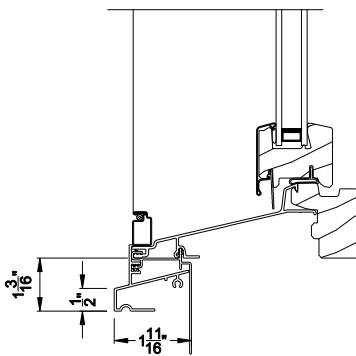
**3 1/2" FLAT CASING**  
Double Hung Head Section Detail



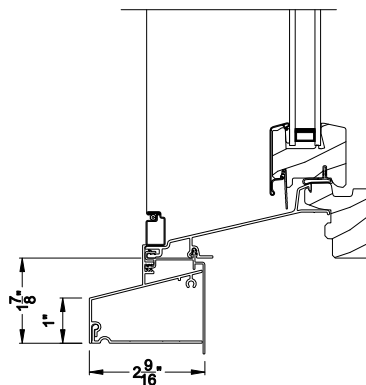
**3 1/2" JEFFERSON**  
Double Hung Head Section Detail



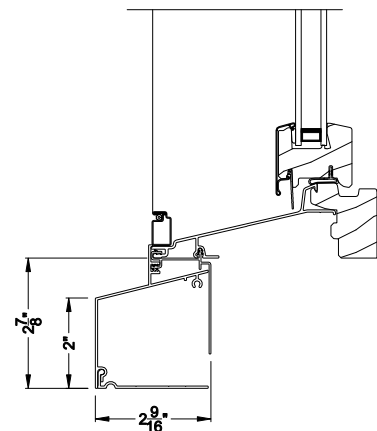
**3 1/2" BRICKMOULD**  
Double Hung Head Section Detail



**1/2" SILL NOSE**  
Double Hung Sill Section Detail



**1" SILL NOSE**  
Double Hung Sill Section Detail



**2" SILL NOSE**  
Double Hung Sill Section Detail

Note: All dimensions are approximate. Weather Shield reserves the right to change specifications without notice.