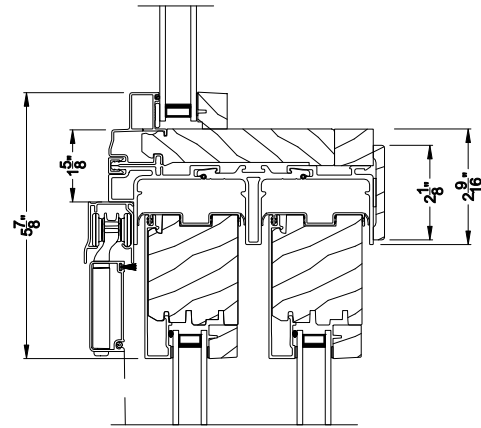
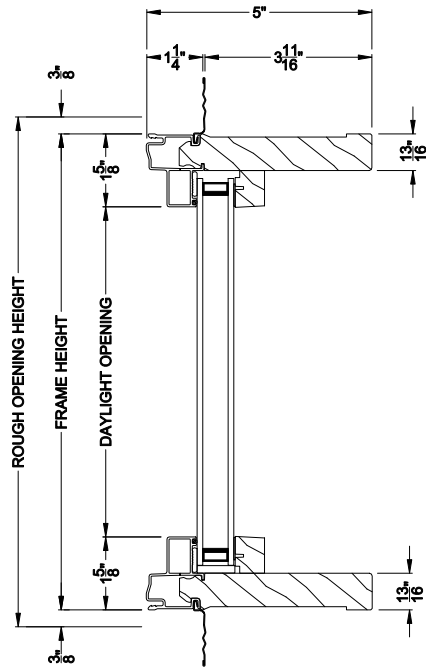


# Weather Shield®

## Classic Series™

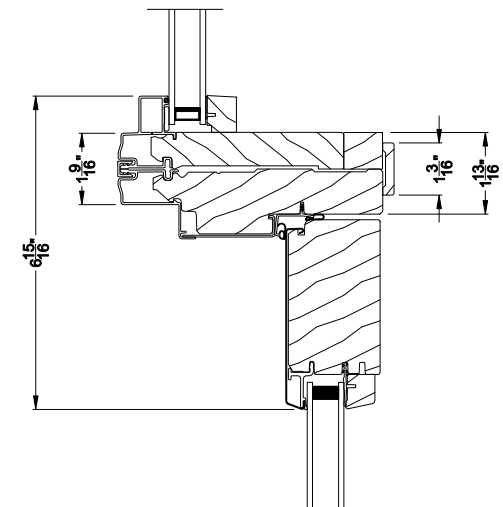
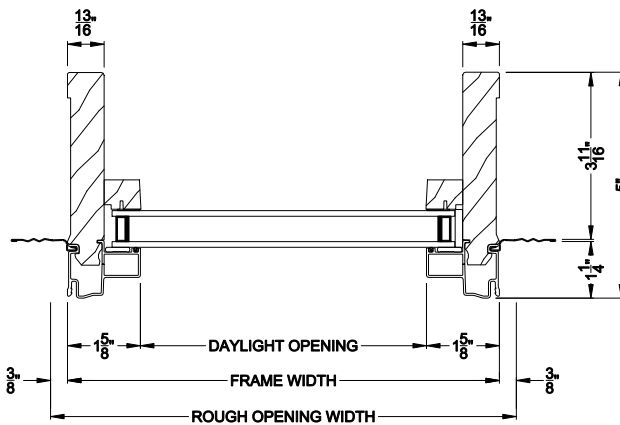
# Door Transom

## CROSS SECTION DETAILS



**CLASSIC DOOR TRANSOM (FIXED FRAME)**  
Horizontal Stack Section - Transom stack over Sliding door

**CLASSIC SERIES DOOR TRANSOM (FIXED FRAME)**  
Vertical Section



**CLASSIC DOOR TRANSOM (FIXED FRAME)**  
Horizontal Stack Section - Transom stack over Hinged door

**CLASSIC SERIES DOOR TRANSOM (FIXED FRAME)**  
Horizontal Section

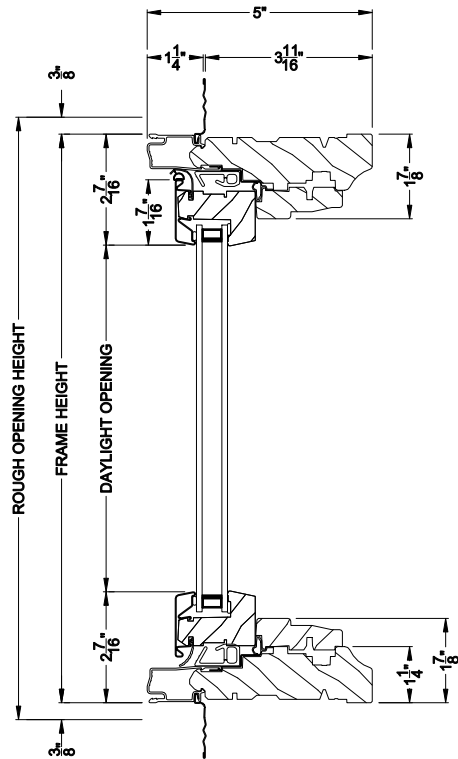
Note: All dimensions are approximate. Weather Shield reserves the right to change specifications without notice.

# Weather Shield®

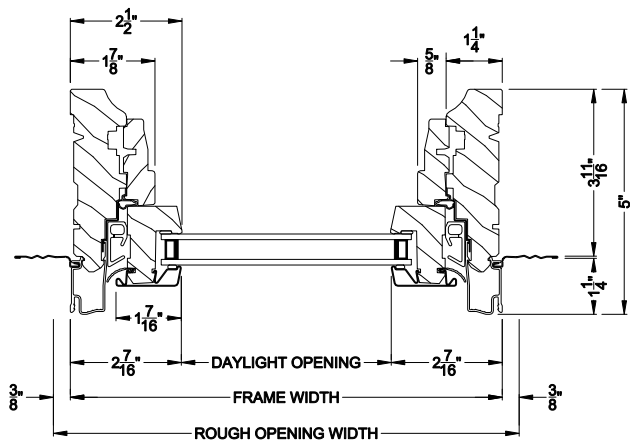
## Classic Series

# Door Transom

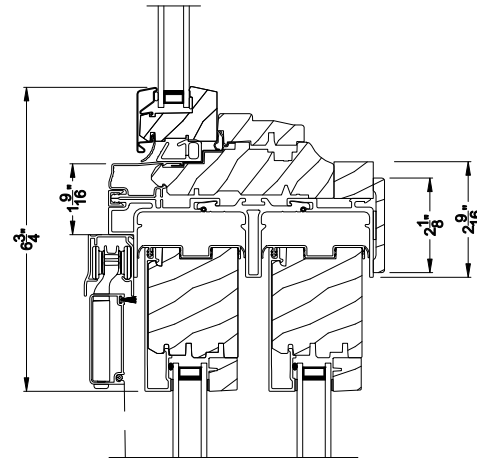
## CROSS SECTION DETAILS



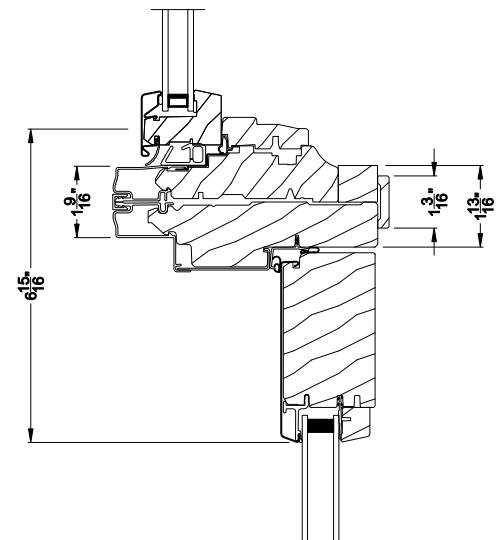
**CLASSIC SERIES DOOR TRANSOM (FIXED)**  
Vertical Section



**CLASSIC SERIES DOOR TRANSOM (FIXED)**  
Horizontal Section



**CLASSIC DOOR TRANSOM (FIXED)**  
Horizontal Stack Section - Transom stack over Sliding door



**CLASSIC DOOR TRANSOM (FIXED)**  
Horizontal Stack Section - Transom stack over Hinged door

Note: All dimensions are approximate. Weather Shield reserves the right to change specifications without notice.