

Shown are typical construction details for single units. These are solely used for the purpose of visualizing a window/door in a wall detail.

#### **Proper Installation System Objectives:**

- Minimize water and air infiltration
- Allow for expansion and contraction around unit
- Attach unit securely to wall

*\*\*The design and structural load requirements of the rough opening are to be determined and met by the architect and/or engineer. Window/Door frame systems are not designed to support additional elements or components of the building wall system.\*\**

#### **General Notes**

- Details reflect various wall systems. Other Weather Shield® products in the same wall construction will reflect similarly.
- Details do not reflect complete installation procedures.
- Refer to the Installation Guides under the Resources tab on [www.weathershield.com](http://www.weathershield.com) for step by step procedures to install properly.
- Weather Shield® sales representatives can assist with other variable applications.

#### **Installation Methods**

Integrated Nailing Fins, Installation Clips and Frame Screws are the most common methods for installing Weather Shield Premium Series® Windows and Doors.

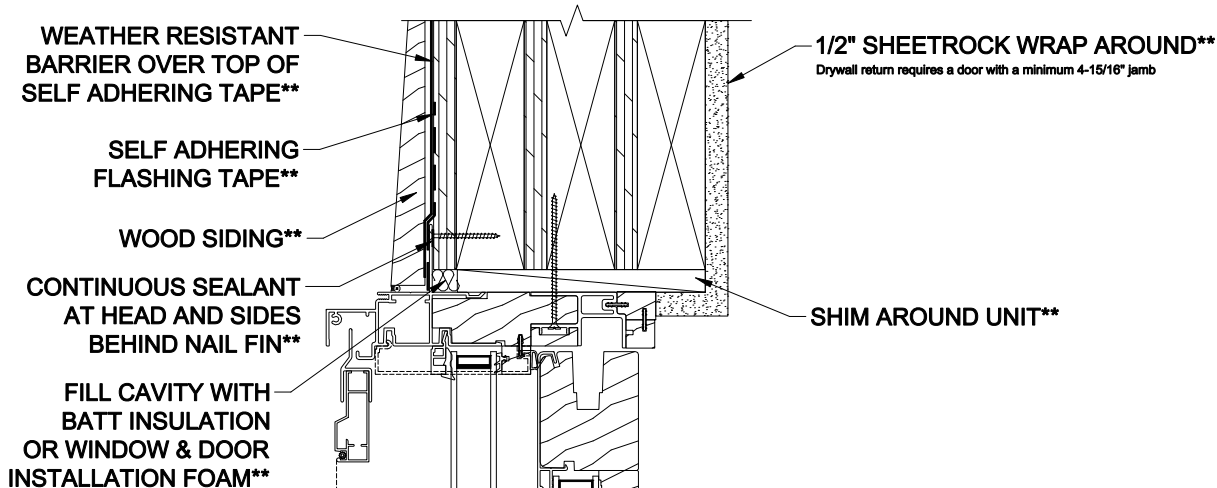
- **Integrated Nailing Fins:** applicable in most situations where the window/door can be installed from the exterior of the house to the sheathing. Primarily used on wood, vinyl, stucco (new construction) and brick veneer (new construction) exteriors.
- **Installation Clips:** applicable in situations where the window/door needs to be installed and fastened in the interior. Primarily used on reconstruction.
- **Frame Screws:** applicable in both installing the window/door from the interior or exterior. Mostly used when the window/door needs to be fastened to a wood buck, usually with concrete or masonry wall systems.

#### **Important Installation Procedures**

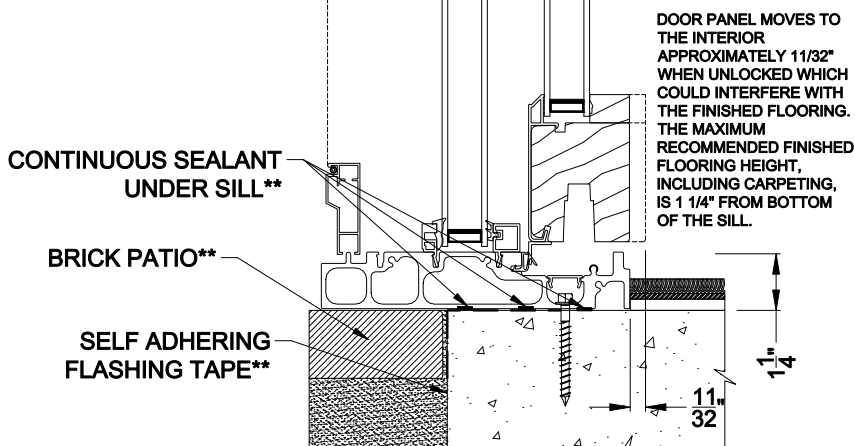
- Unit must be shimmed in the opening, true, plum, level and square. Shim windows a minimum of 1/4" above sill plate to provide proper clearance.
- Shims are required to keep frames straight.
- When insulating around the unit, use batt insulation or window and door installation foam. Do not use high compressive foam.

**IMPORTANT!** Details are shown with minimal spacing between items for clarity of illustration. Actual assembly details may vary.

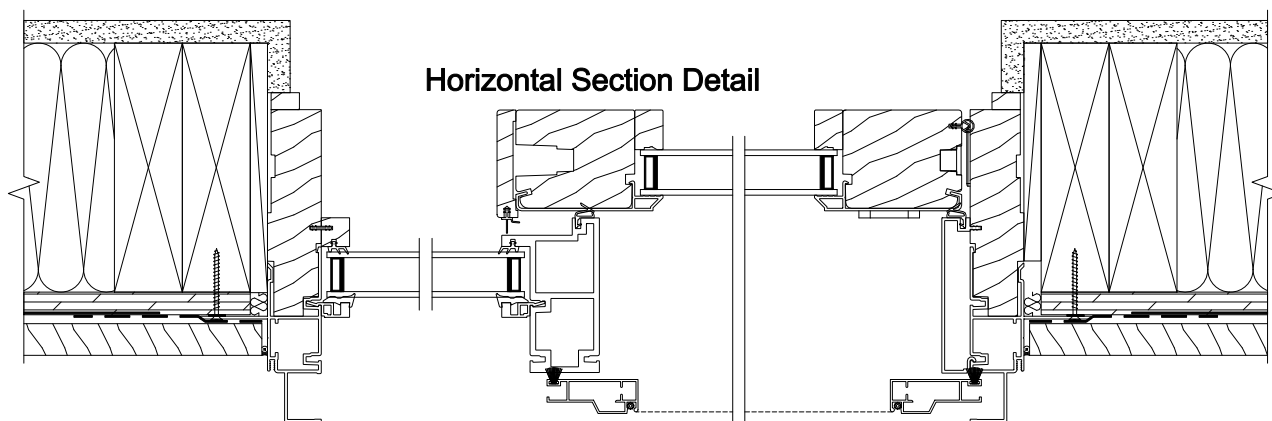
**Wood Siding - 2x6 Wood Stud - Drywall Return**



**\*\*PROVIDED BY OTHER**

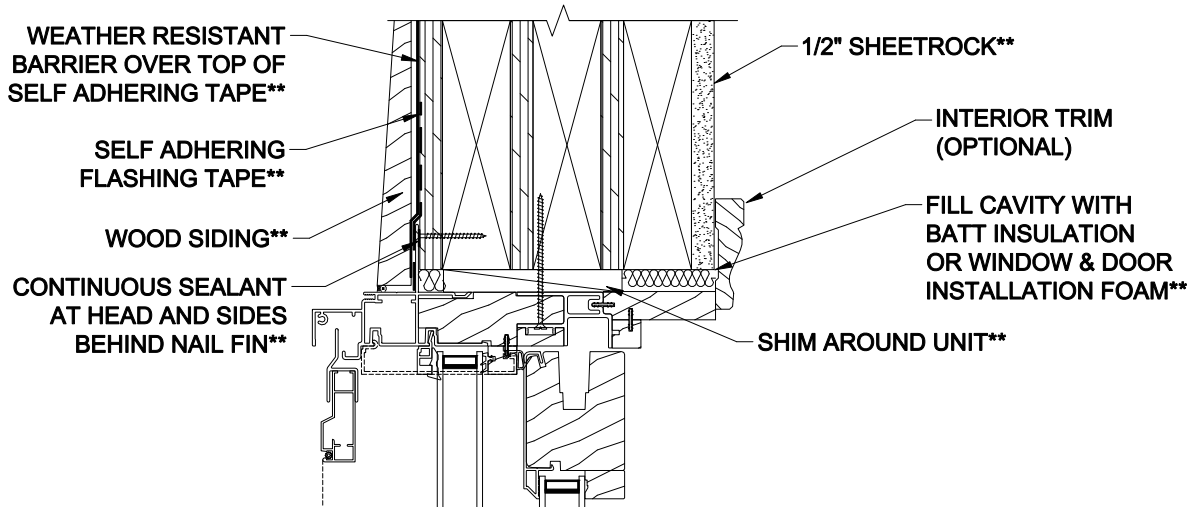


**Vertical Section Detail**

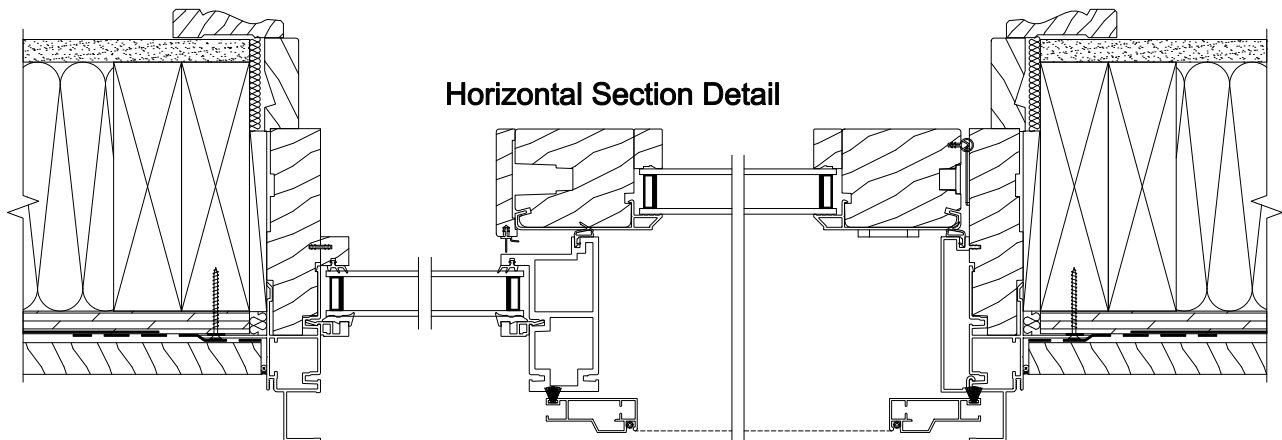
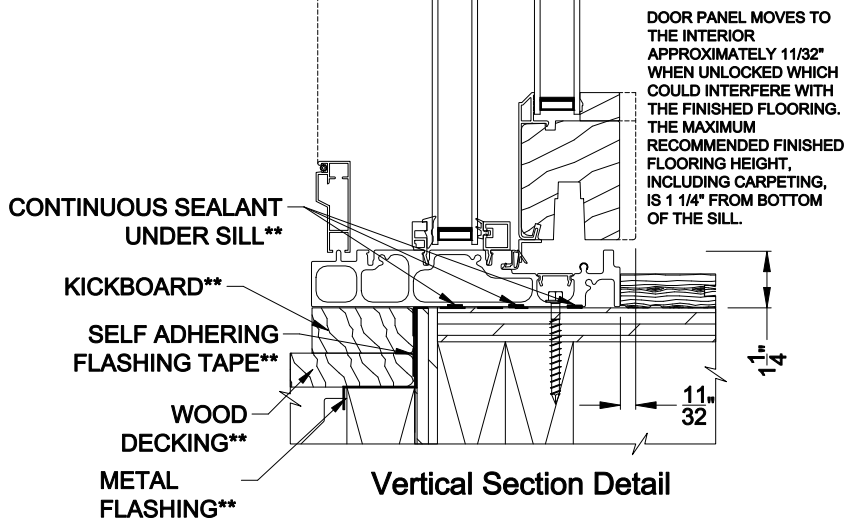


Note: All dimensions are approximate. Weather Shield reserves the right to change specifications without notice.

**Wood Siding - 2x6 Wood Stud - Jamb Extension**

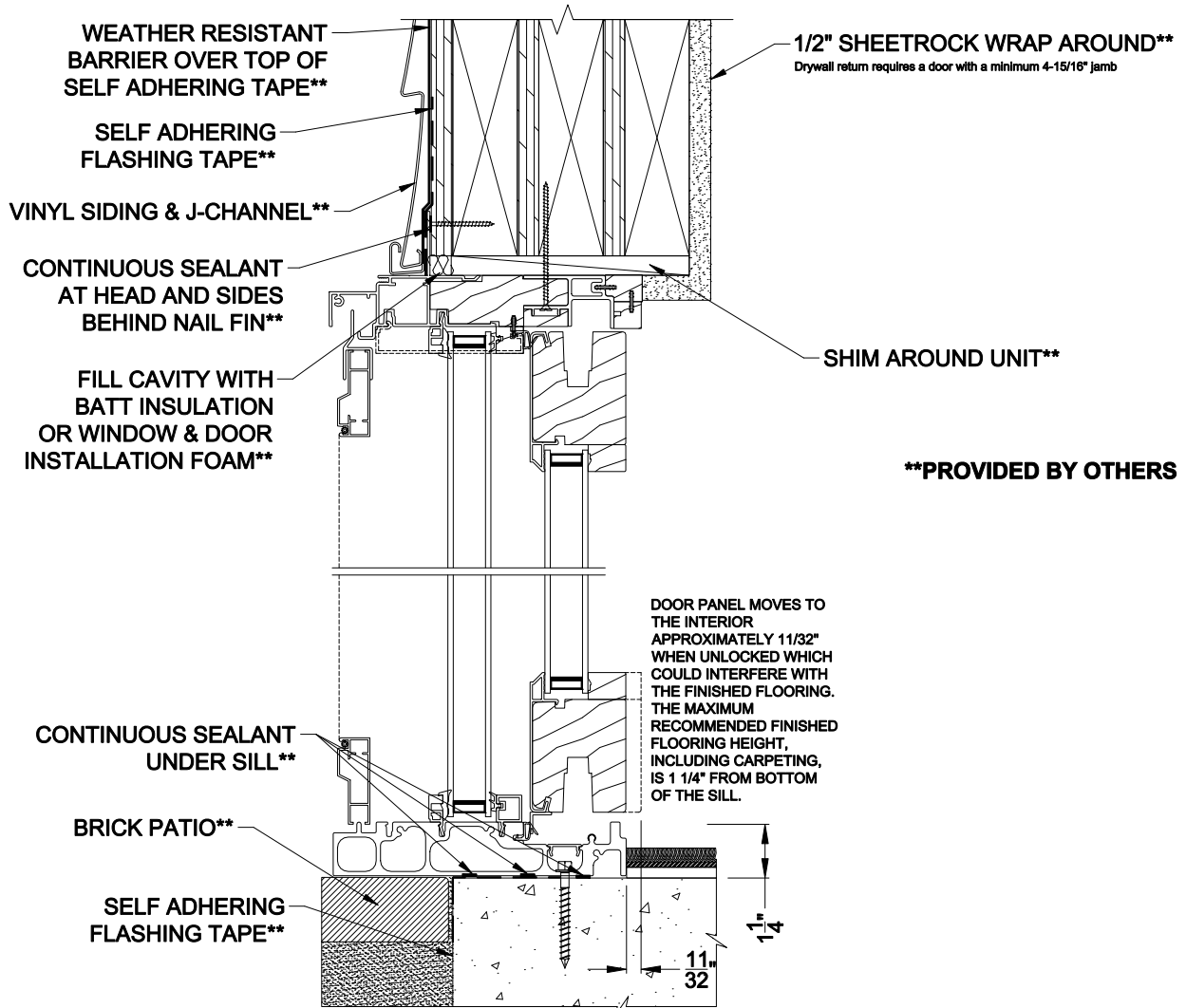


**\*\*PROVIDED BY OTHER**

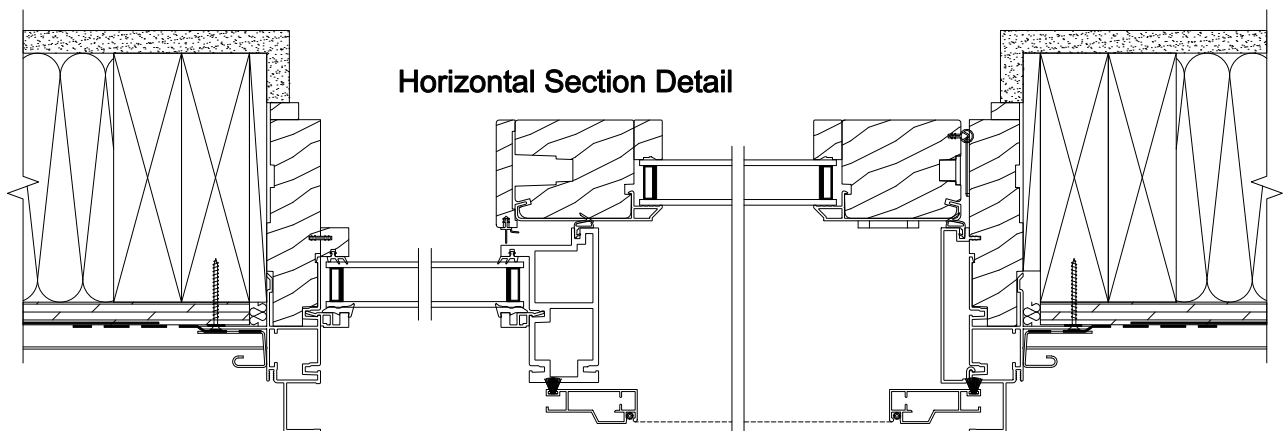


Note: All dimensions are approximate. Weather Shield reserves the right to change specifications without notice.

**Vinyl Siding - 2x6 Wood Stud - Drywall Return**

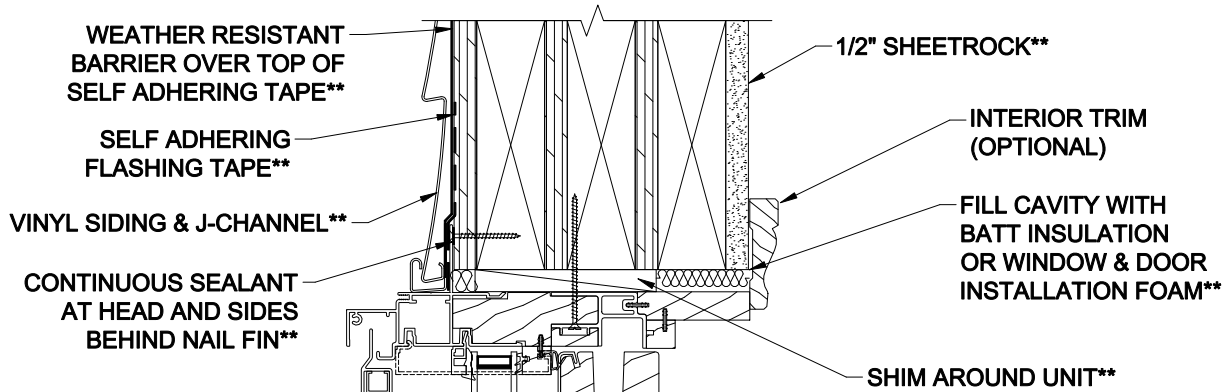


**Vertical Section Detail**

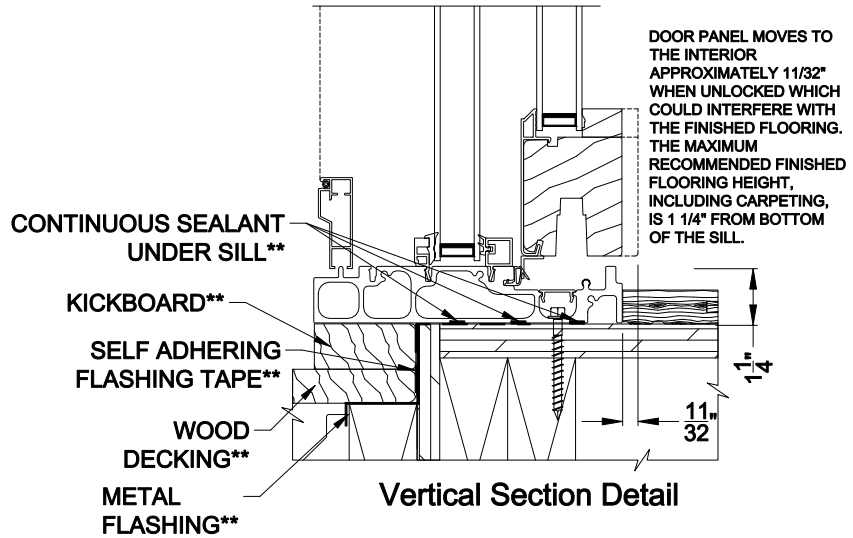


Note: All dimensions are approximate. Weather Shield reserves the right to change specifications without notice.

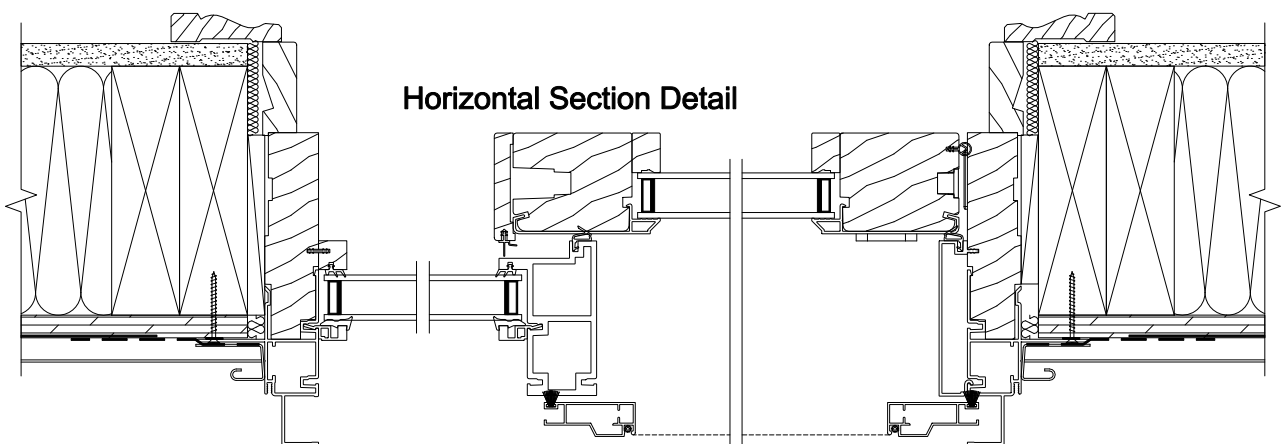
**Vinyl Siding - 2x6 Wood Stud - Jamb Extension**



**\*\*PROVIDED BY OTHERS**



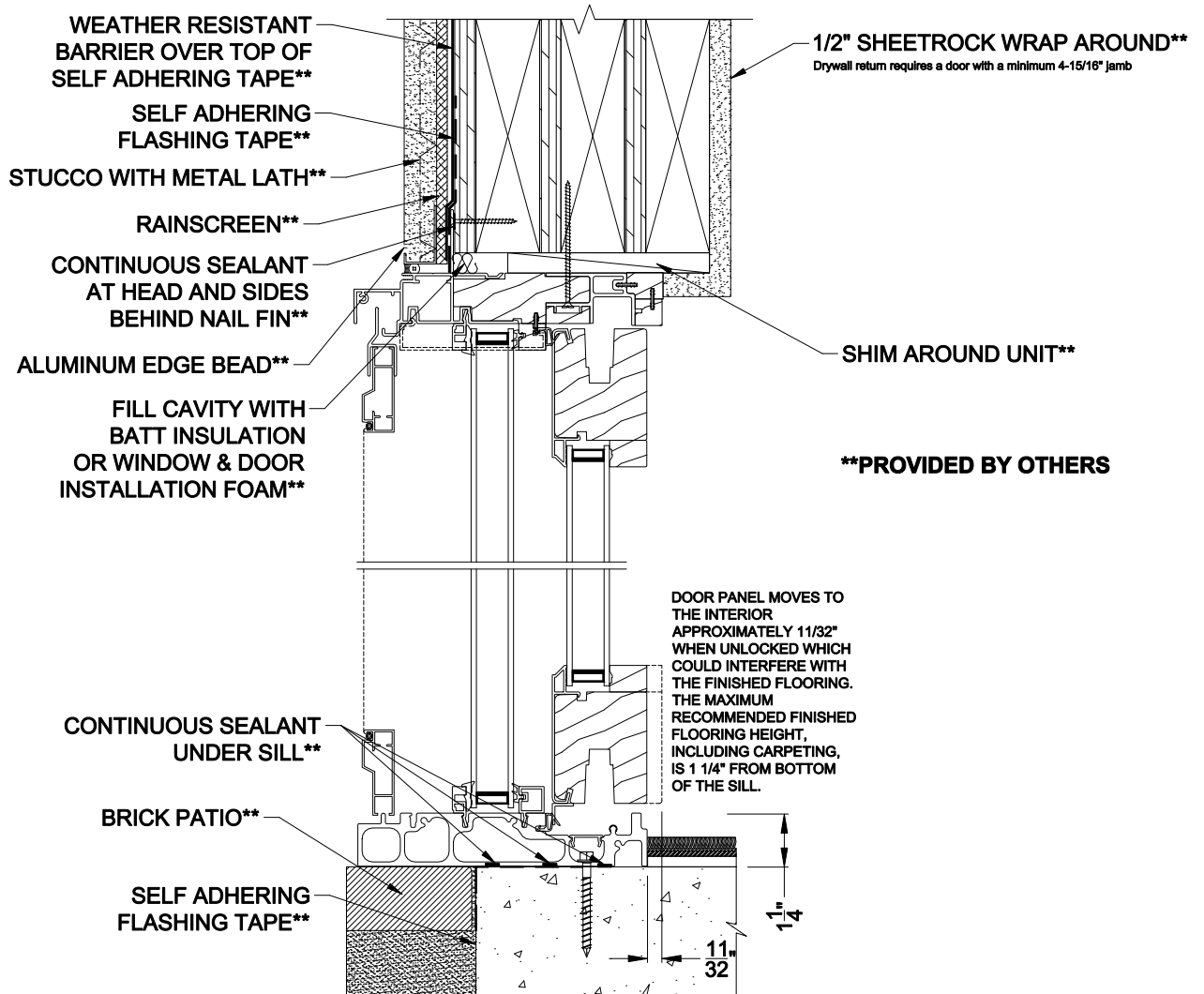
**Vertical Section Detail**



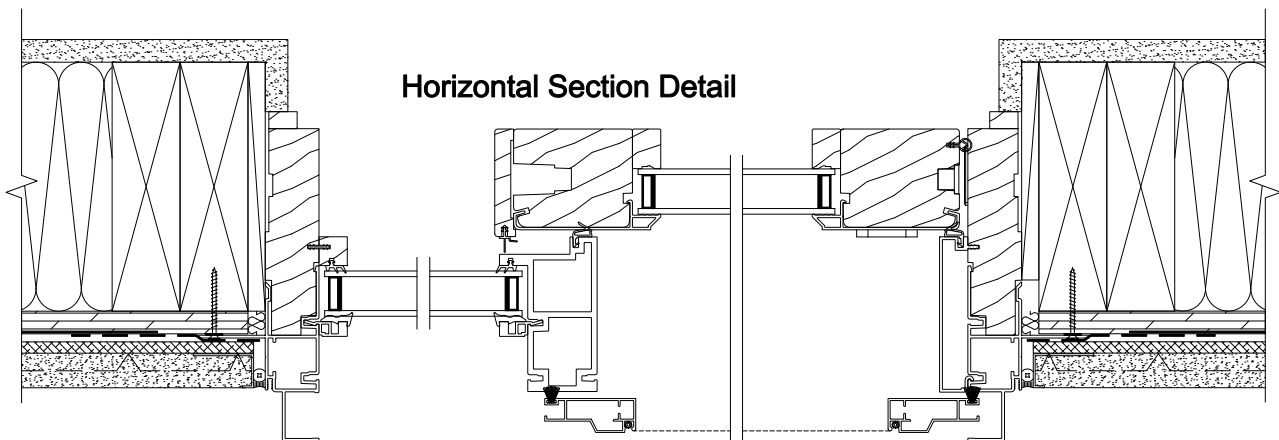
**Horizontal Section Detail**

Note: All dimensions are approximate. Weather Shield reserves the right to change specifications without notice.

**Stucco Exterior - 2x6 Wood Stud - Drywall Return**



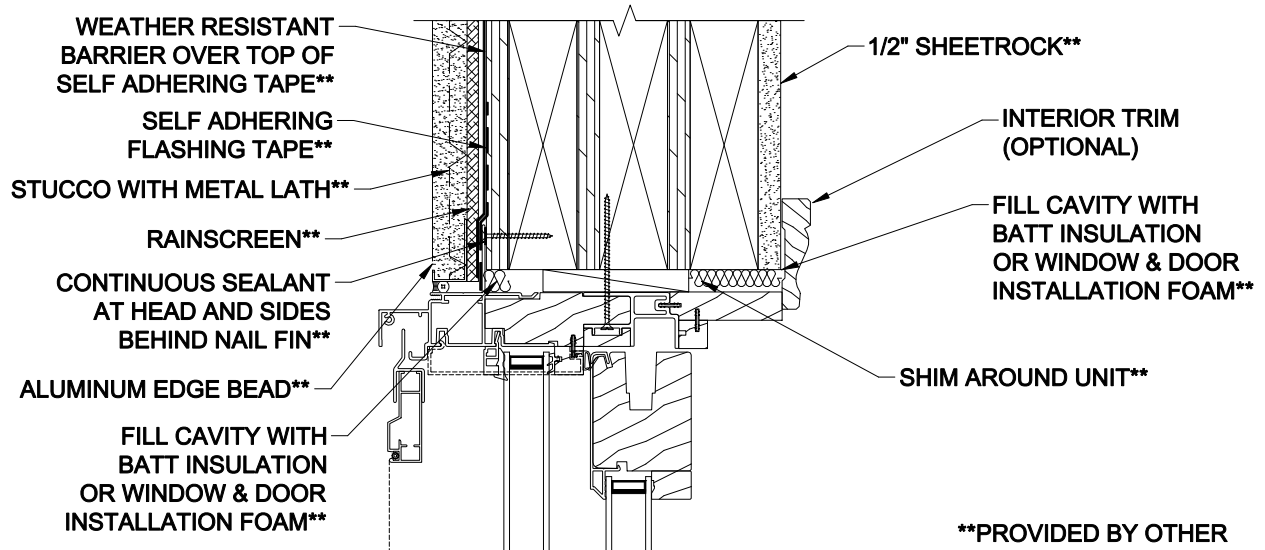
**Vertical Section Detail**



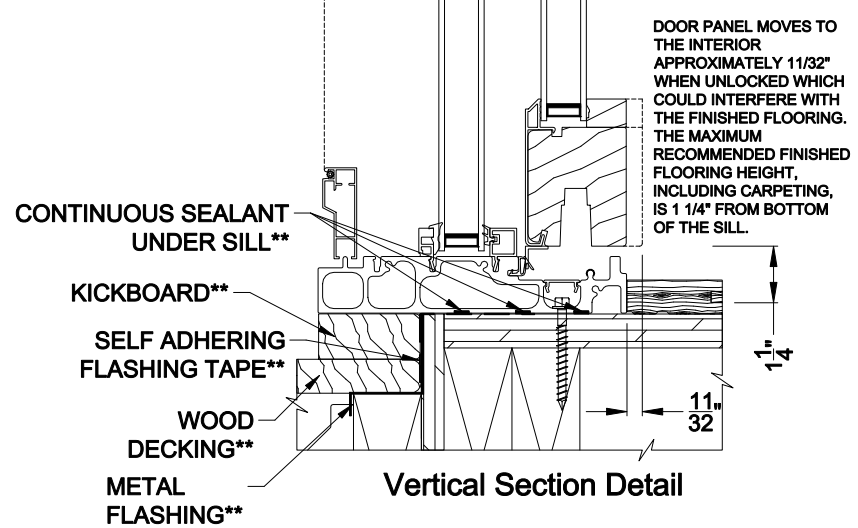
**Horizontal Section Detail**

Note: All dimensions are approximate. Weather Shield reserves the right to change specifications without notice.

**Stucco Exterior - 2x6 Wood Stud - Jamb Extension**

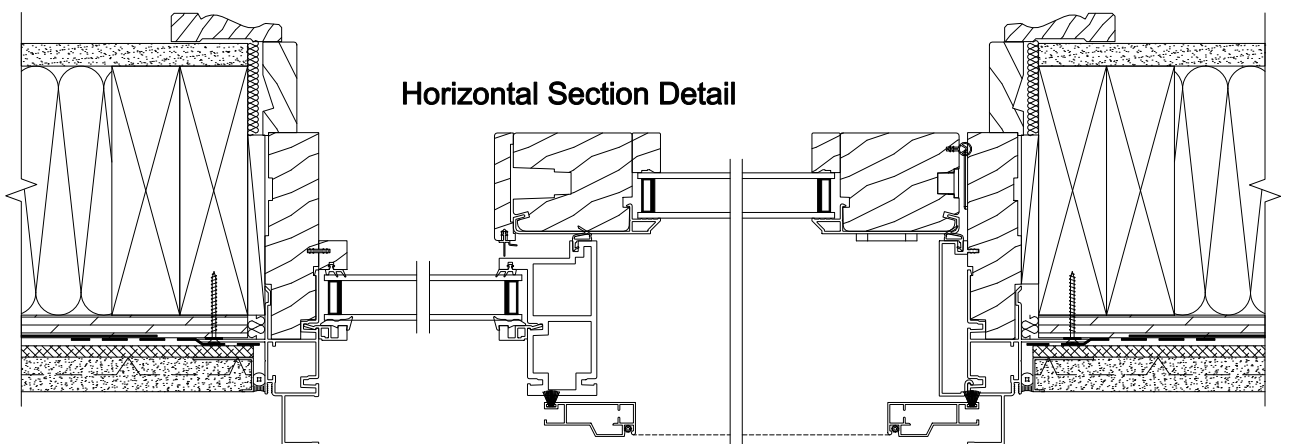


\*\*PROVIDED BY OTHER



DOOR PANEL MOVES TO THE INTERIOR APPROXIMATELY 11/32\"/>

**Vertical Section Detail**



**Horizontal Section Detail**

Note: All dimensions are approximate. Weather Shield reserves the right to change specifications without notice.

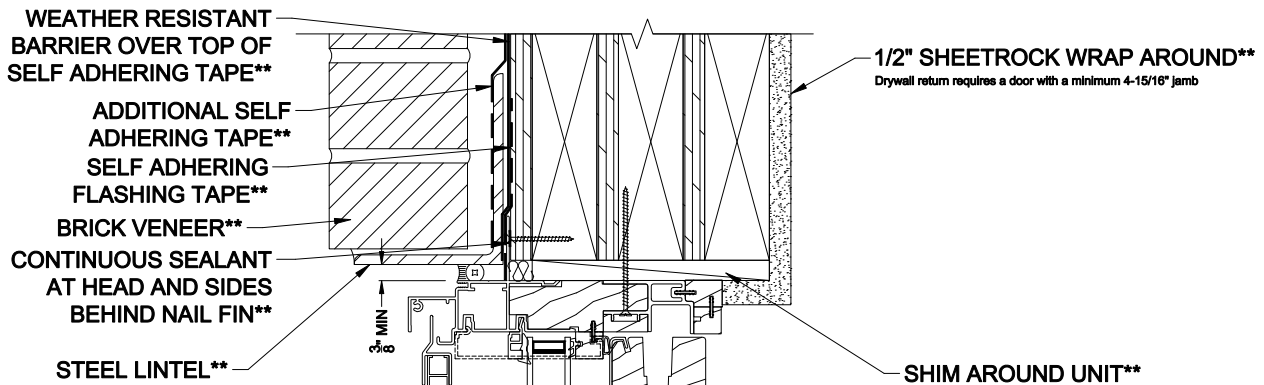
# Weather Shield®

## Contemporary Collection™

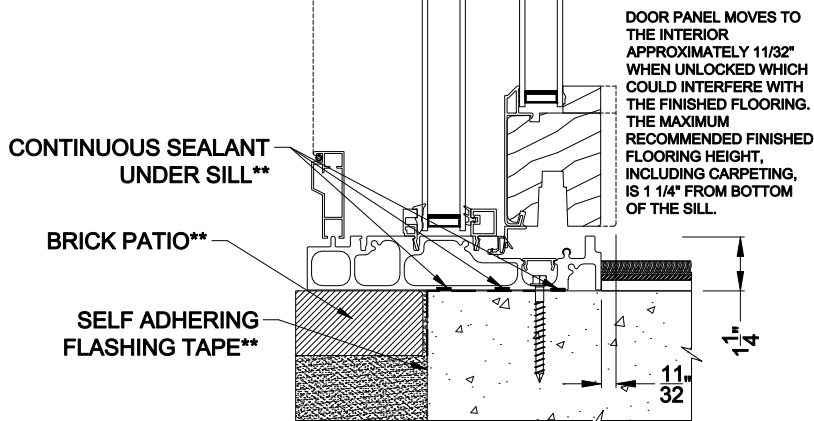
### Brick Exterior - 2x6 Wood Stud - Drywall Return

## Next Gen Sliding Doors

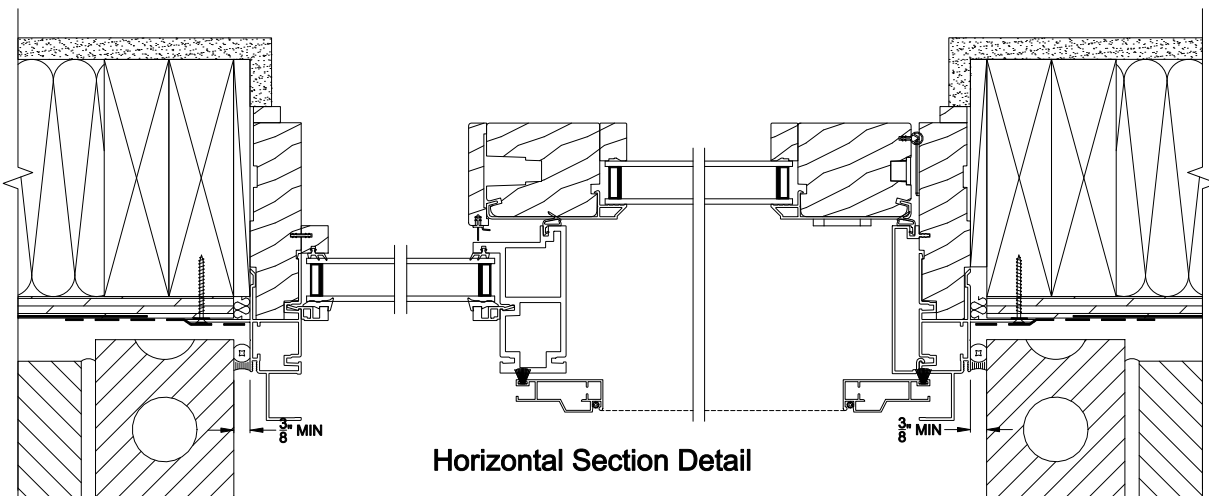
### BRICK VENEER INSTALLATION DETAILS



**\*\*PROVIDED BY OTHERS**



**Vertical Section Detail**



**Horizontal Section Detail**

Note: All dimensions are approximate. Weather Shield reserves the right to change specifications without notice.

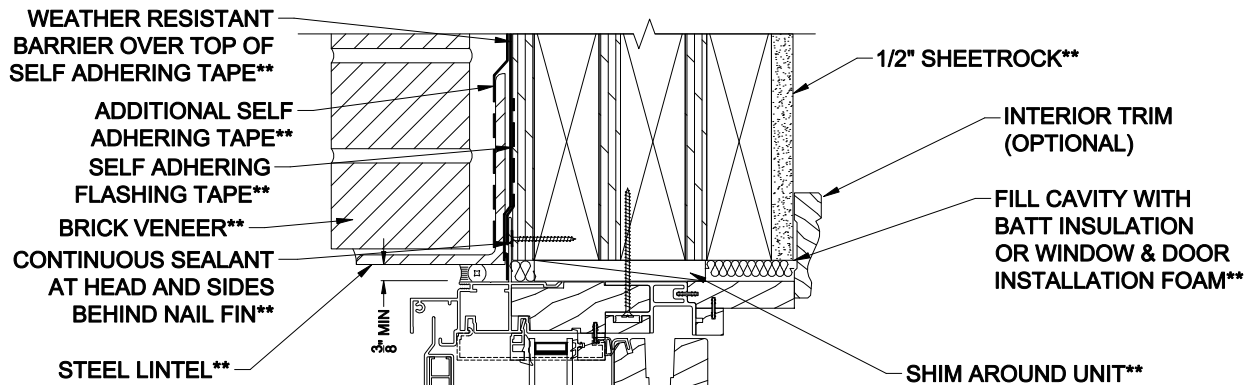
# Weather Shield®

## Contemporary Collection™

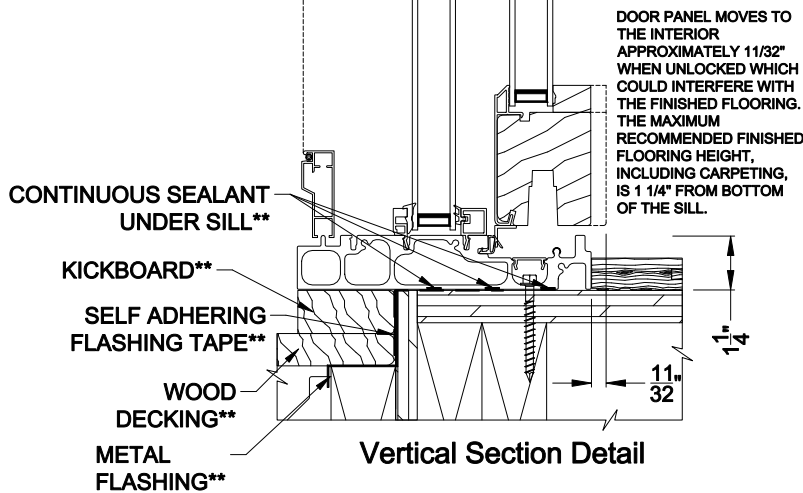
### Brick Exterior - 2x6 Wood Stud - Jamb Extension

# Next Gen Sliding Doors

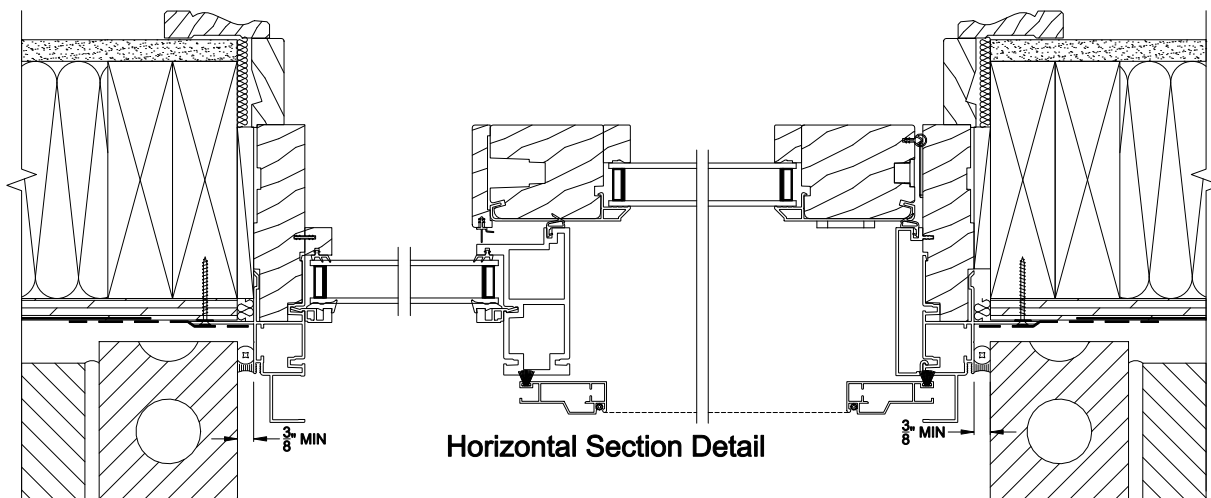
## BRICK VENEER INSTALLATION DETAILS



**\*\*PROVIDED BY OTHERS**



**Vertical Section Detail**



**Horizontal Section Detail**

Note: All dimensions are approximate. Weather Shield reserves the right to change specifications without notice.