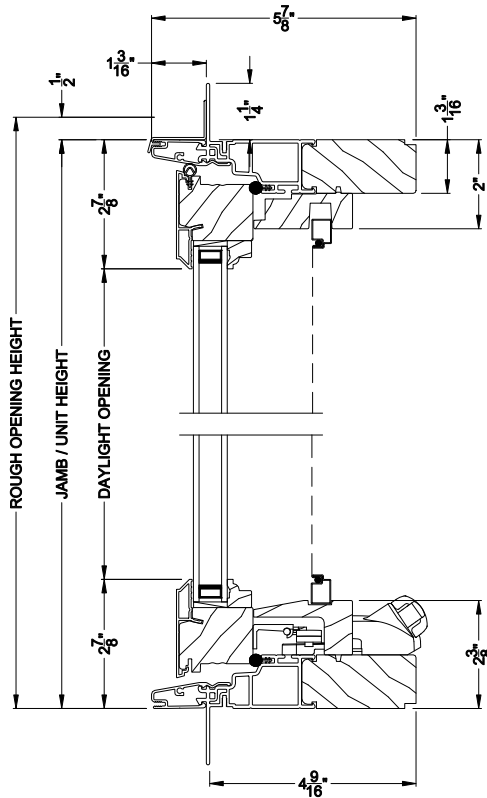


# Weather Shield®

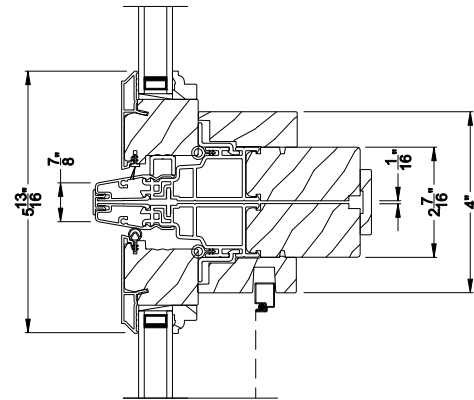
## Premium Series™

# Awning Windows

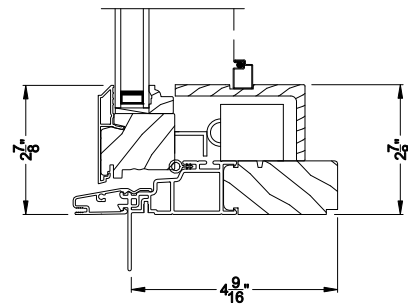
## CROSS SECTION DETAILS



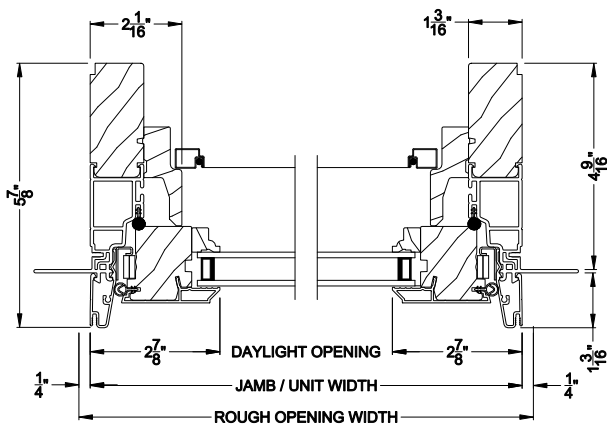
**PREMIUM AWNING WINDOW (8211)**  
Vertical Section



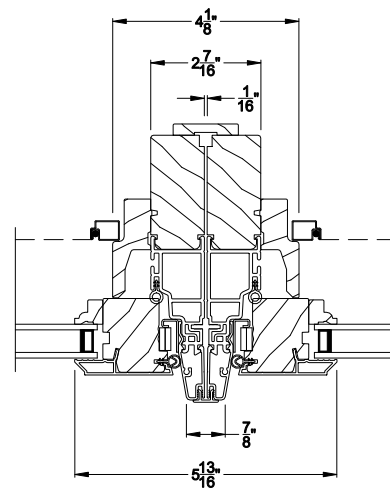
**PREMIUM AWNING WINDOW**  
Horizontal Stack Section - Transom Stack over Awning



**PREMIUM AWNING WINDOW (8211)**  
Vertical Section - With motorized operator



**PREMIUM AWNING WINDOW (8211)**  
Horizontal Section



**PREMIUM AWNING WINDOW**  
Vertical Mull Section

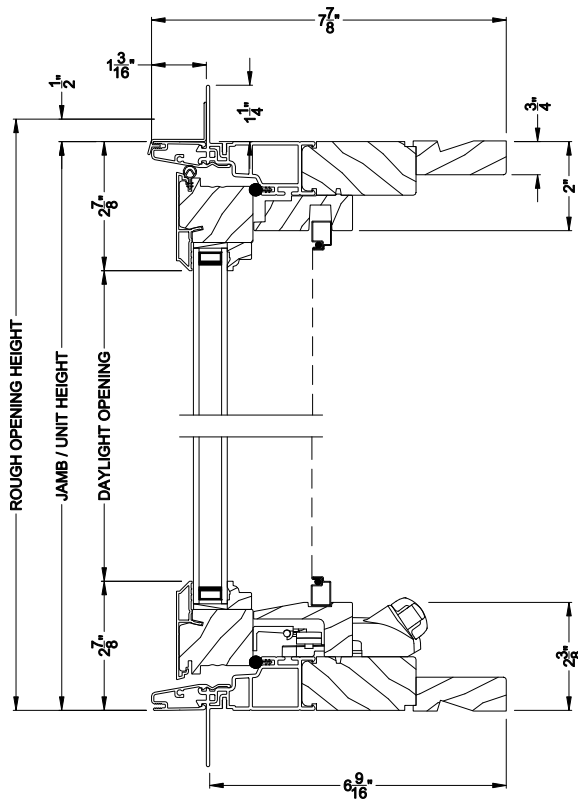
Note: All dimensions are approximate. Weather Shield reserves the right to change specifications without notice.

# Weather Shield®

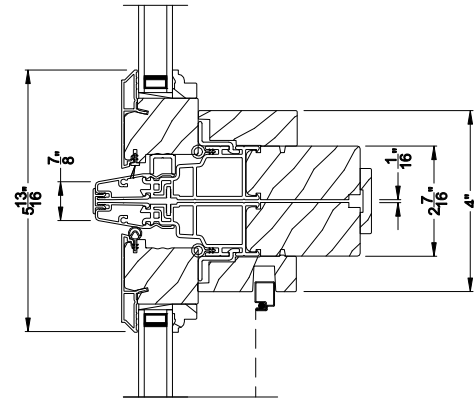
## Premium Series™

# Awning Windows

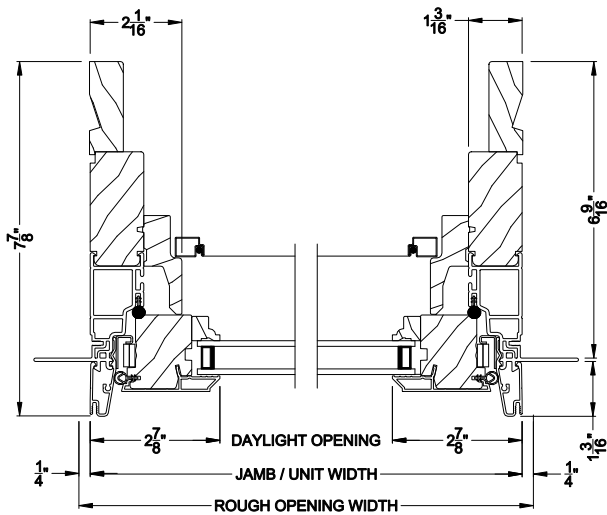
## CROSS SECTION DETAILS



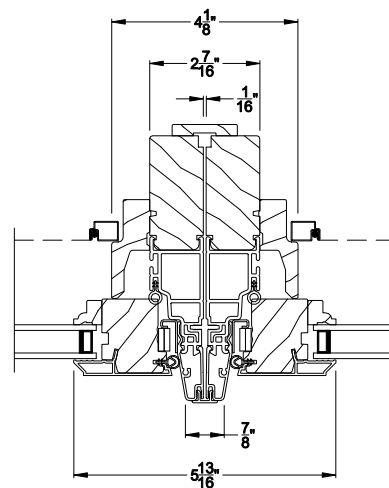
**PREMIUM AWNING WINDOW (8211)**  
Vertical Section - 6-9/16" jamb



**PREMIUM AWNING WINDOW**  
Horizontal Stack Section - Transom Stack over Awning



**PREMIUM AWNING WINDOW (8211)**  
Horizontal Section - 6-9/16" jamb



**PREMIUM AWNING WINDOW**  
Vertical Mull Section

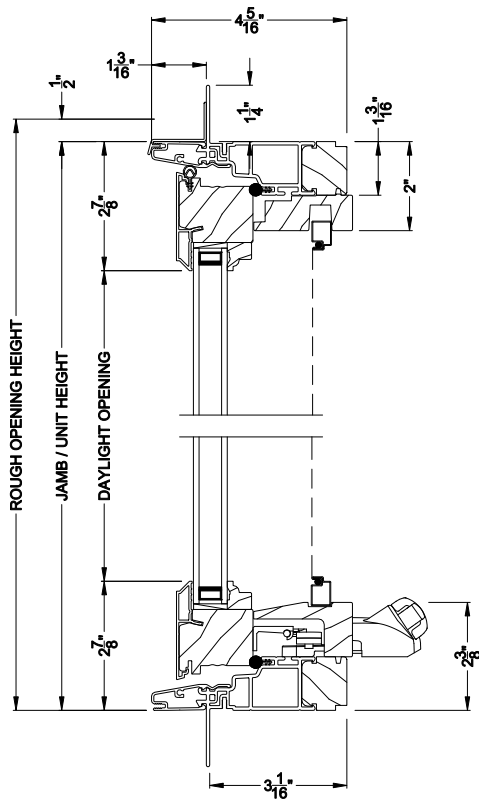
Note: All dimensions are approximate. Weather Shield reserves the right to change specifications without notice.

# Weather Shield®

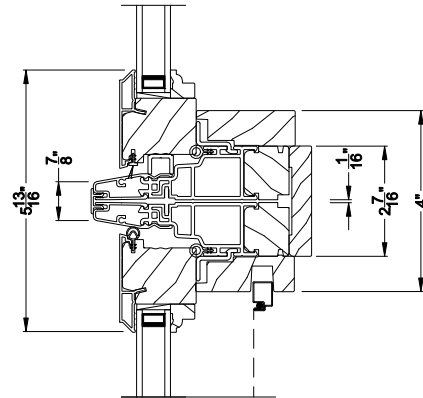
## Premium Series™

# Awning Windows

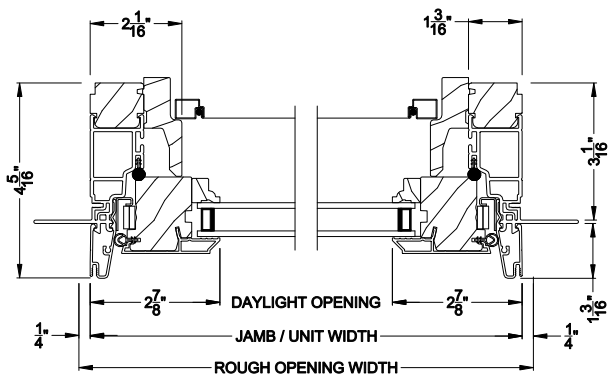
## CROSS SECTION DETAILS



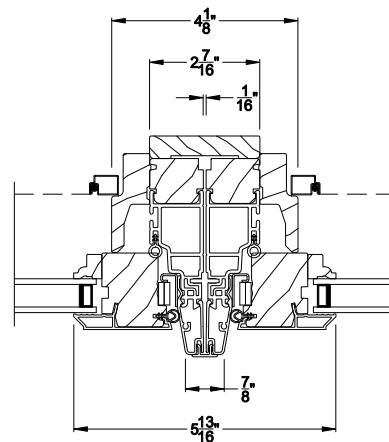
**PREMIUM AWNING WINDOW (8211)**  
Vertical Section - 3-1/16" jamb



**PREMIUM AWNING WINDOW**  
Horizontal Stack Section - Transom Stack over Awning

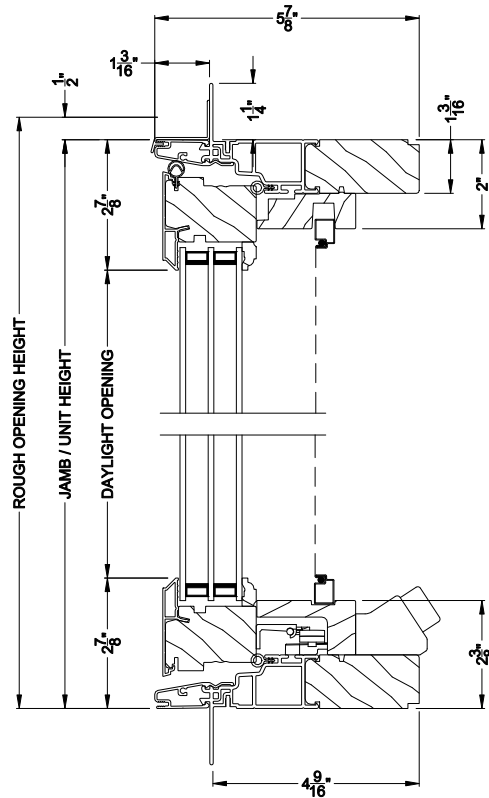


**PREMIUM AWNING WINDOW (8211)**  
Horizontal Section - 3-1/16" jamb

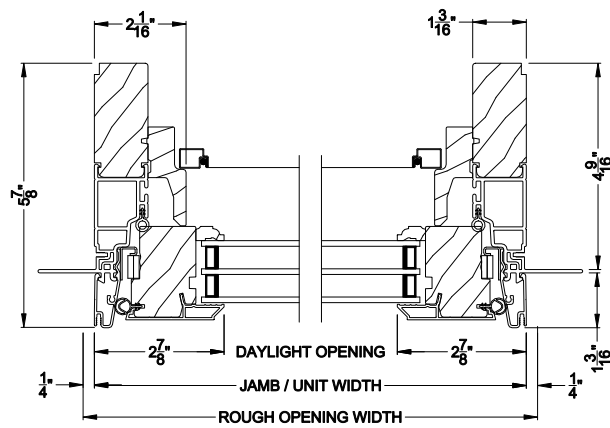


**PREMIUM AWNING WINDOW**  
Vertical Mull Section

Note: All dimensions are approximate. Weather Shield reserves the right to change specifications without notice.



**PREMIUM AWNING WINDOW (8211)**  
Vertical Section - Energy Sash



**PREMIUM AWNING WINDOW (8211)**  
Horizontal Section - Energy Sash

Note: All dimensions are approximate. Weather Shield reserves the right to change specifications without notice.