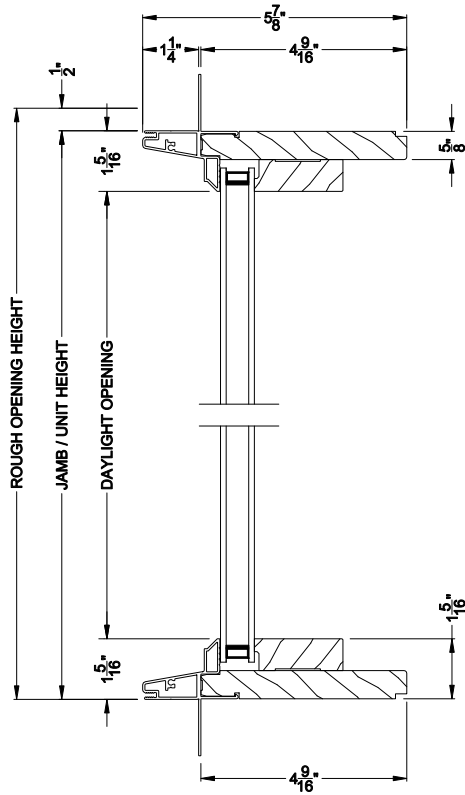


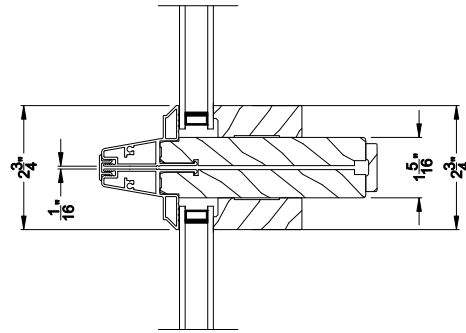
# Weather Shield® Contemporary Collection™

## Slim Frame Direct-Set Windows CROSS SECTION DETAILS

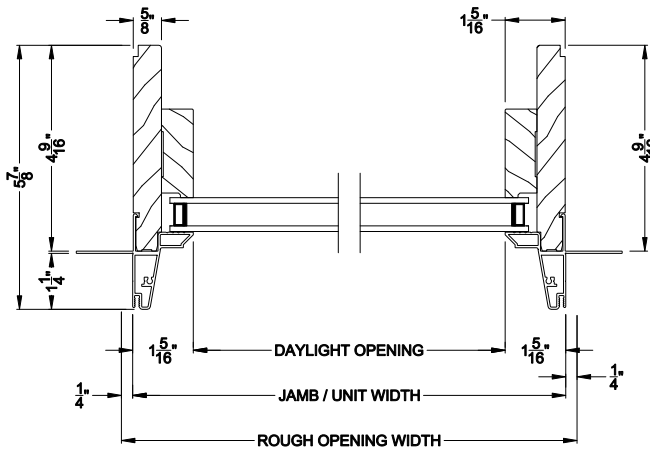


**CONTEMPORARY DIRECT-SET (8307)**  
Vertical Section - Slim Frame

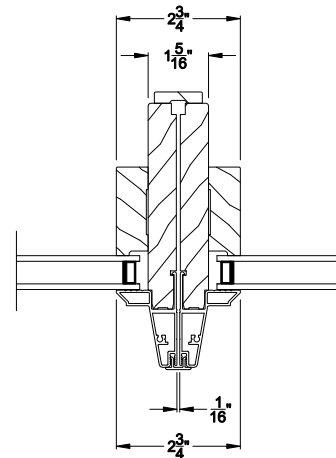
NOTE: Slim Frame Direct-set windows are not designed to be mullied with casements or awnings due to the narrow frame width. Slim Frame Direct-sets are intended to be stand alone or mullied to other Slim Frame Direct-sets.



**CONTEMPORARY DIRECT-SET**  
Stack Section



**CONTEMPORARY DIRECT-SET (8307)**  
Horizontal Section - Slim Frame



**CONTEMPORARY DIRECT-SET**  
Horizontal Mullion Section

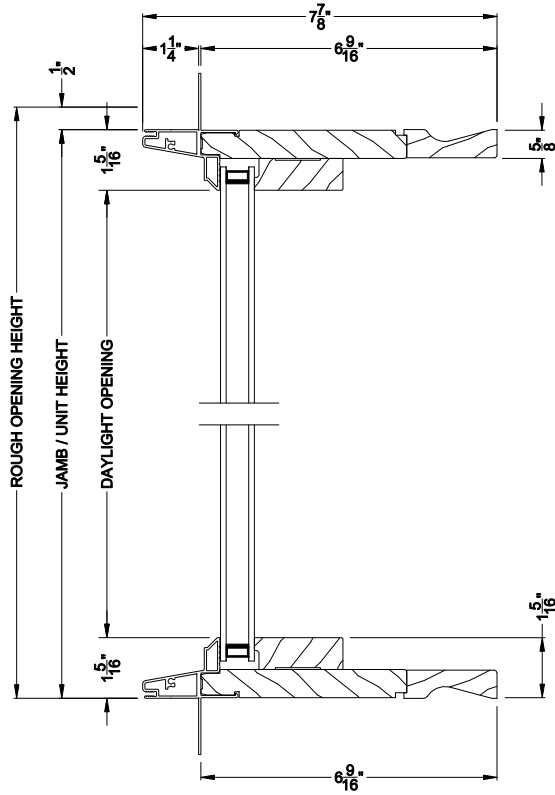
Note: All dimensions are approximate. Weather Shield reserves the right to change specifications without notice.

# Weather Shield®

## Contemporary Collection™

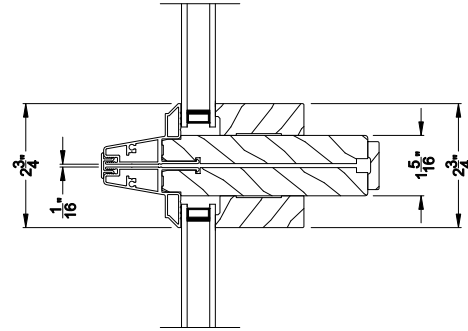
# Slim Frame Direct-Set Windows

## CROSS SECTION DETAILS

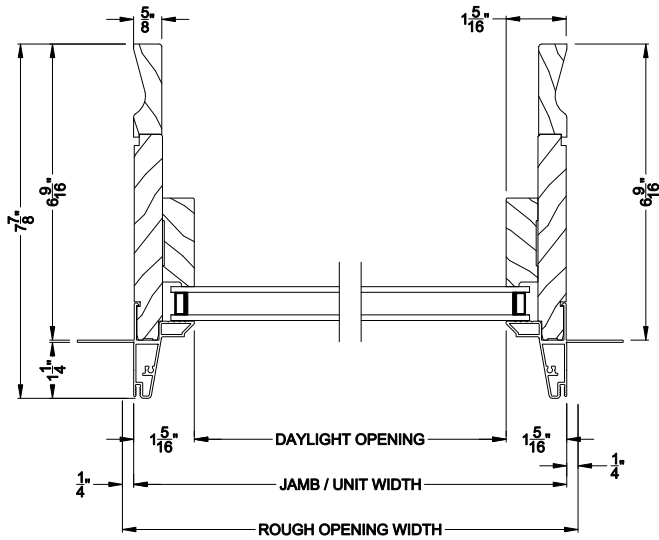


**CONTEMPORARY DIRECT-SET (8307)**  
Vertical Section - Slim Frame

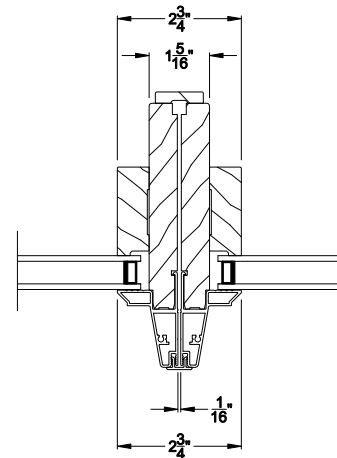
NOTE: Slim Frame Direct-set windows are not designed to be mullied with casements or awnings due to the narrow frame width. Slim Frame Direct-sets are intended to be stand alone or mullied to other Slim Frame Direct-sets.



**CONTEMPORARY DIRECT-SET**  
Stack Section



**CONTEMPORARY DIRECT-SET (8307)**  
Horizontal Section - Slim Frame

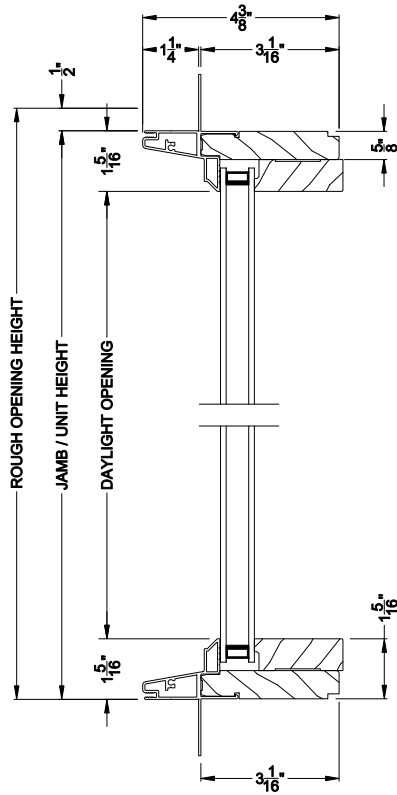


**CONTEMPORARY DIRECT-SET**  
Horizontal Mullion Section

Note: All dimensions are approximate. Weather Shield reserves the right to change specifications without notice.

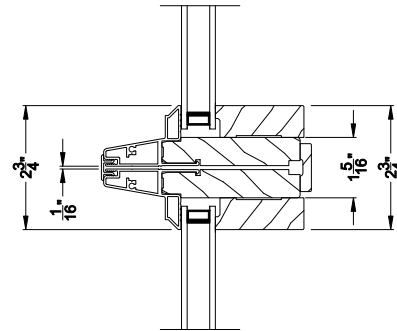
# Weather Shield® Contemporary Collection™

## Slim Frame Direct-Set Windows CROSS SECTION DETAILS

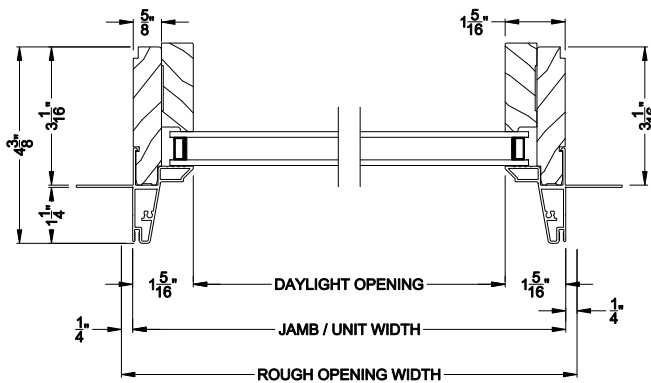


**CONTEMPORARY DIRECT-SET (8307)**  
Vertical Section - Slim Frame - 3-1/16" jamb

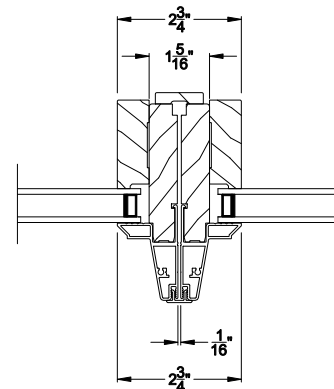
NOTE: Slim Frame Direct-set windows are not designed to be mullied with casements or awnings due to the narrow frame width. Slim Frame Direct-sets are intended to be stand alone or mullied to other Slim Frame Direct-sets.



**CONTEMPORARY DIRECT-SET**  
Stack Section



**CONTEMPORARY DIRECT-SET (8307)**  
Horizontal Section - Slim Frame - 3-1/16" jamb



**CONTEMPORARY DIRECT-SET**  
Horizontal Mullion Section

Note: All dimensions are approximate. Weather Shield reserves the right to change specifications without notice.