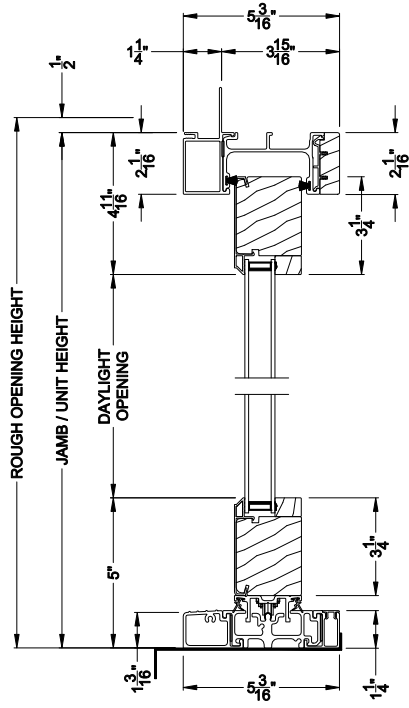


Weather Shield™

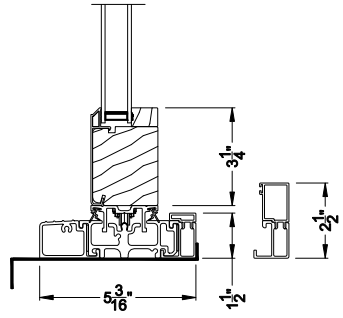
Contemporary Collection

2-1/4" Multi-Slide Windows

CROSS SECTION DETAILS

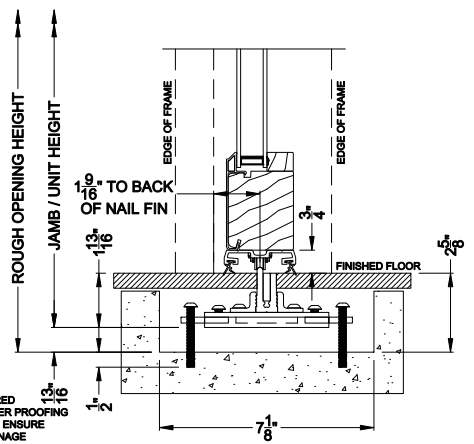


SILL PAN REQUIRED
CONSULT A WATER PROOFING
CONSULTANT TO ENSURE
ADEQUATE DRAINAGE



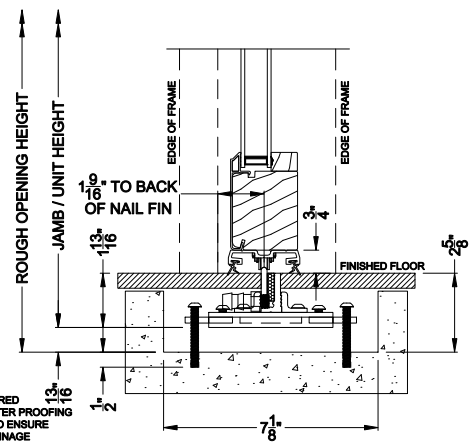
CONTEMPORARY 2-1/4" MULTI-SLIDE WINDOW (8726)
Vertical Section - Standard Sill - 1 or Bi-parting 2 Panel Window

CONTEMPORARY 2-1/4" MULTI-SLIDE WINDOW (8726)
Vertical Section - with Sill Riser - 1 or Bi-parting 2 Panel Window



SILL PAN REQUIRED
CONSULT A WATER PROOFING
CONSULTANT TO ENSURE
ADEQUATE DRAINAGE

CONTEMPORARY 2-1/4" MULTI-SLIDE WINDOW (8726)
Vertical Section - with T-track sill - 1 or Bi-parting 2 Panel Window



SILL PAN REQUIRED
CONSULT A WATER PROOFING
CONSULTANT TO ENSURE
ADEQUATE DRAINAGE

CONTEMPORARY 2-1/4" MULTI-SLIDE WINDOW (8726)
Vertical Section - with Drainage T-track sill - 1 or Bi-parting 2 Panel Door

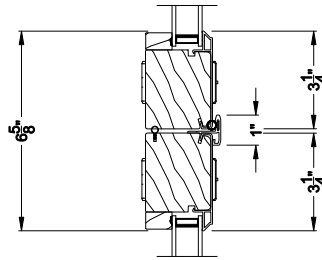
Note: All dimensions are approximate. Weather Shield reserves the right to change specifications without notice.

Weather Shield™

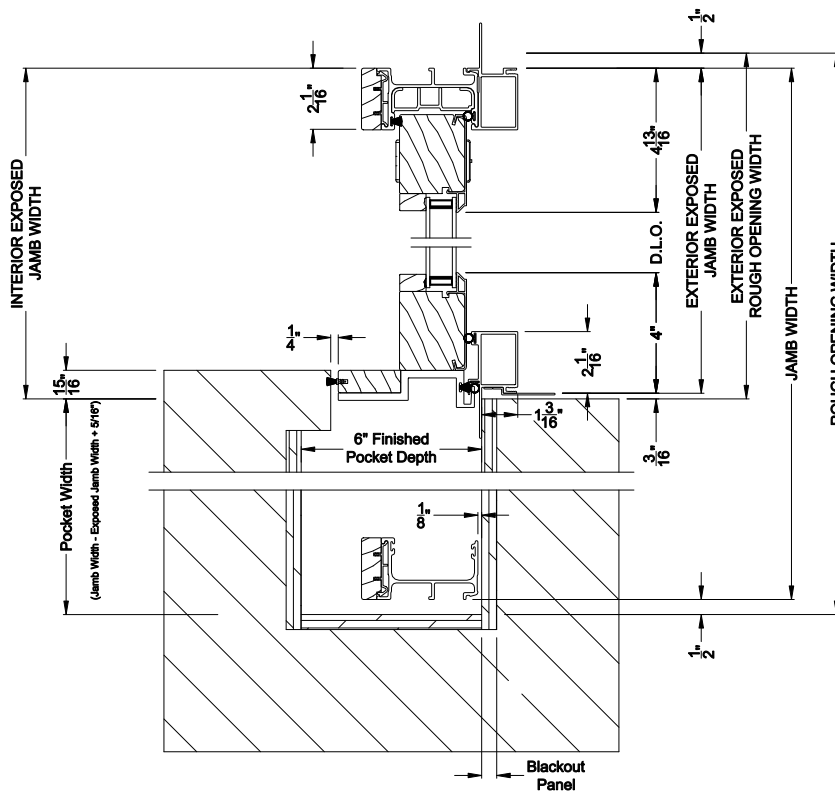
Contemporary Collection

2-1/4" Multi-Slide Windows

CROSS SECTION DETAILS



CONTEMPORARY 2-1/4" MULTI-SLIDE WINDOW (8726)
Horizontal Section - Bi-parting stiles



CONTEMPORARY 2-1/4" MULTI-SLIDE WINDOW (8726)
Horizontal Pocket Section - 1 or Bi-parting 2 Panel Window

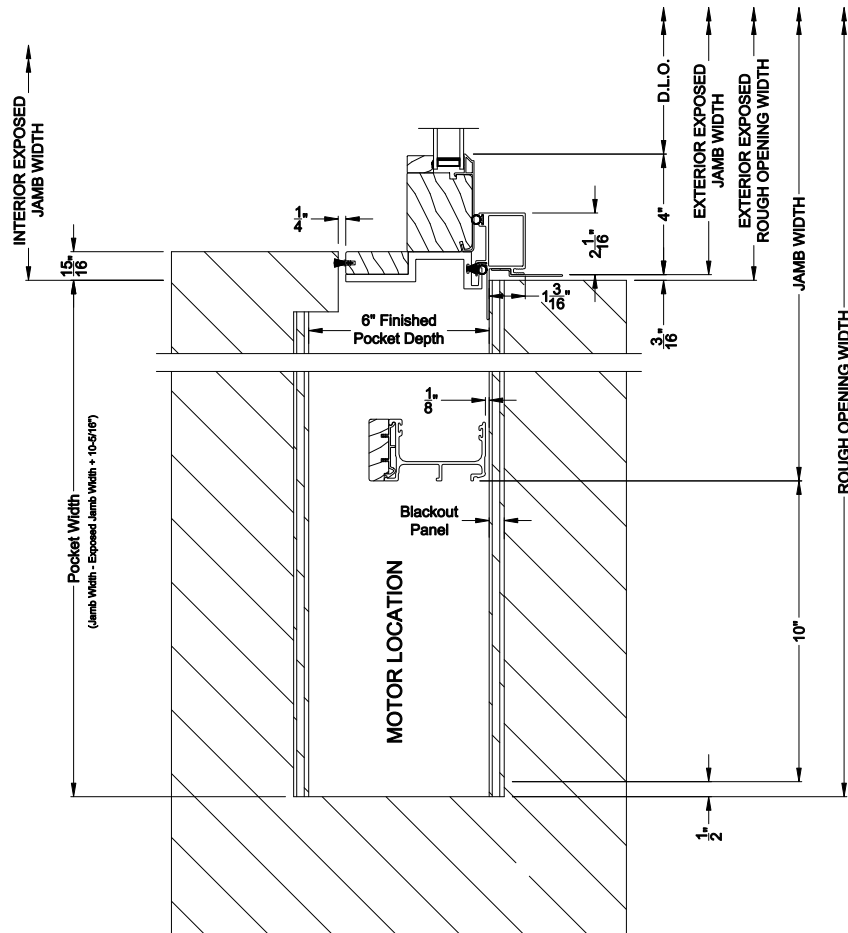
Note: All dimensions are approximate. Weather Shield reserves the right to change specifications without notice.

Weather Shield™

Contemporary Collection

2-1/4" Multi-Slide Windows

CROSS SECTION DETAILS



CONTEMPORARY 2-1/4" MULTI-SLIDE WINDOW (8726)
 Horizontal Motorized Pocket Section - 1 or Bi-parting 2 Panel Window

Note: All dimensions are approximate. Weather Shield reserves the right to change specifications without notice.