

# Weather Shield®

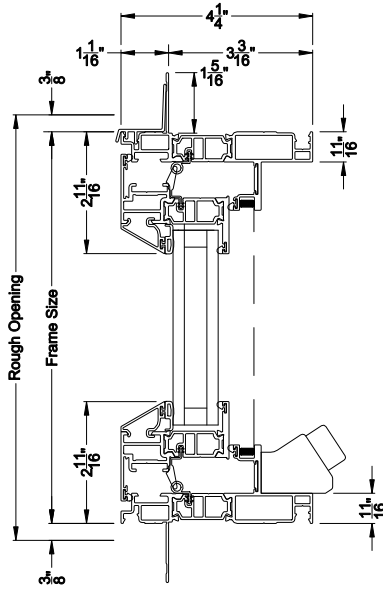
## VUE Collection™

# Awning Windows

## CROSS SECTION DETAILS

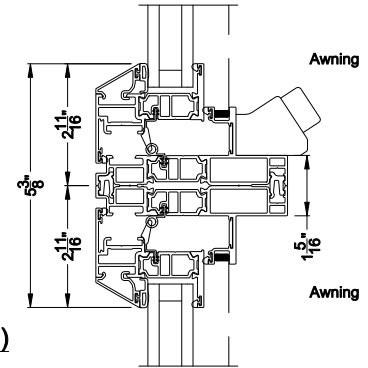
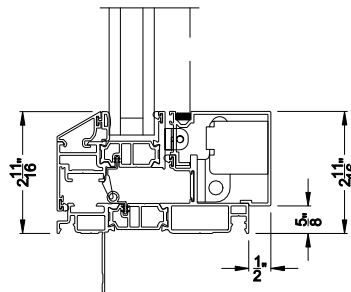
### VUE COLLECTION AWNING WINDOW (4201)

Vertical Sections - Beveled Bead

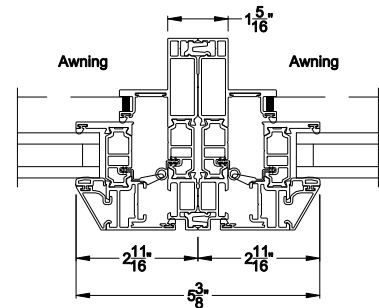


### VUE COLLECTION AWNING WINDOW (4201)

Vertical Sections - Beveled Bead - Motorized Operator



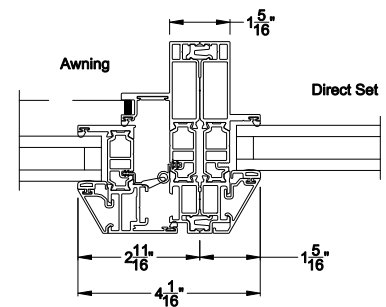
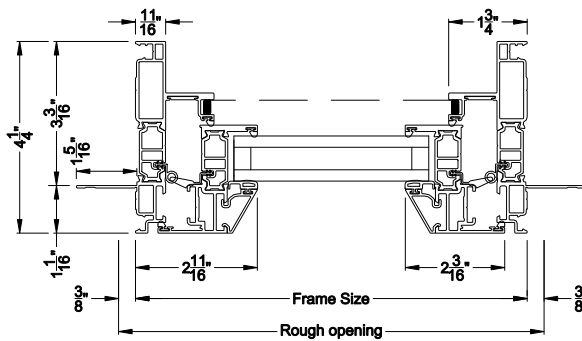
Mull / Stack Modular Stack Section  
Direct Mull



Mull / Stack Modular Mull Section  
Direct Mull

### VUE COLLECTION AWNING WINDOW (4201)

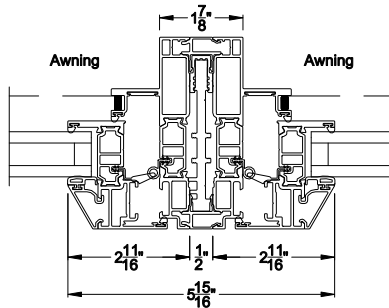
Horizontal Sections - Beveled Bead



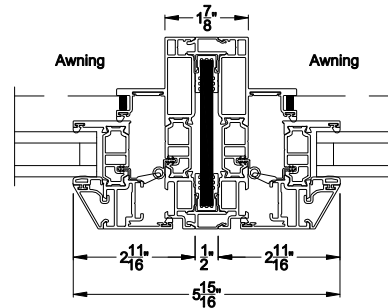
Mull / Stack Modular Mull Section  
Direct Mull

Note: All dimensions are approximate. Weather Shield reserves the right to change specifications without notice.

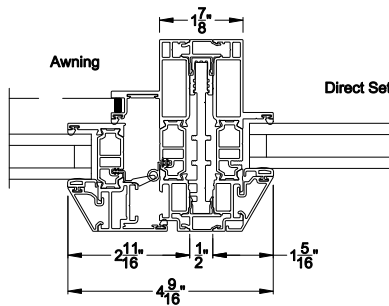
**VUE COLLECTION AWNING WINDOW**  
 Modular Reinforced Mullion Sections - Beveled Bead



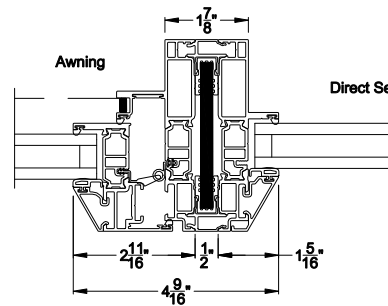
**Mull / Stack Modular Mull Section**  
 1/2" Aluminum Reinforcement



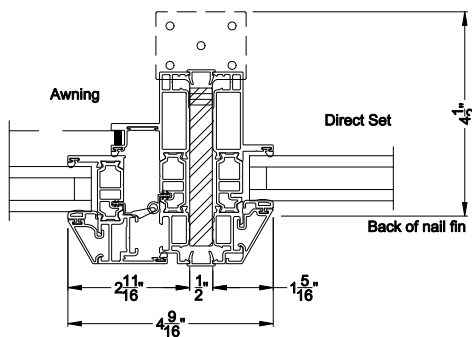
**Mull / Stack Modular Mull Section**  
 1/2" Steel Reinforcement



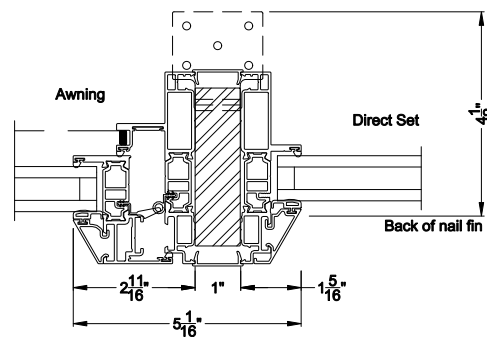
**Mull / Stack Modular Mull Section**  
 1/2" Aluminum Reinforcement



**Mull / Stack Modular Mull Section**  
 1/2" Steel Reinforcement



**Mull / Stack Modular Mull Section**  
 1/2" Anchored Steel Reinforcement



**Mull / Stack Modular Mull Section**  
 1" Anchored Steel Reinforcement

Note: All dimensions are approximate. Weather Shield reserves the right to change specifications without notice.