

Weather Shield®

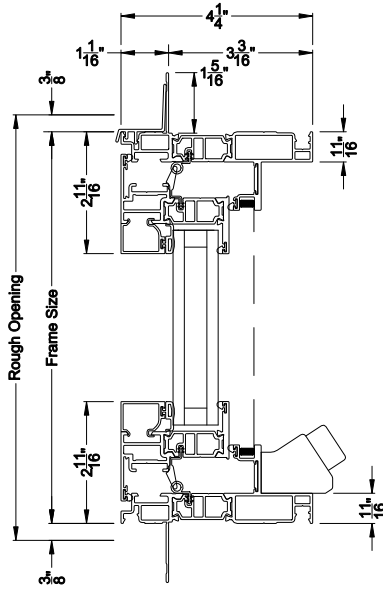
VUE Collection™

Awning Windows

CROSS SECTION DETAILS

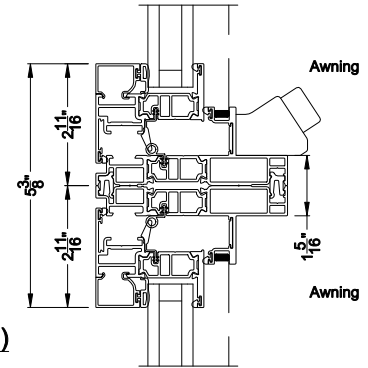
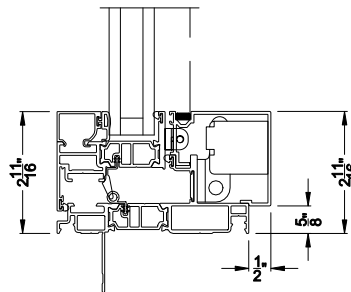
VUE COLLECTION AWNING WINDOW (4201)

Vertical Sections - Square Bead

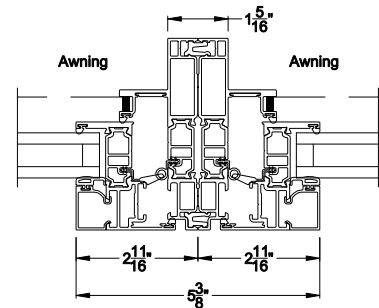


VUE COLLECTION AWNING WINDOW (4201)

Vertical Sections - Square Bead - Motorized Operator



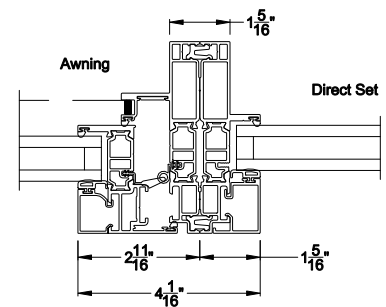
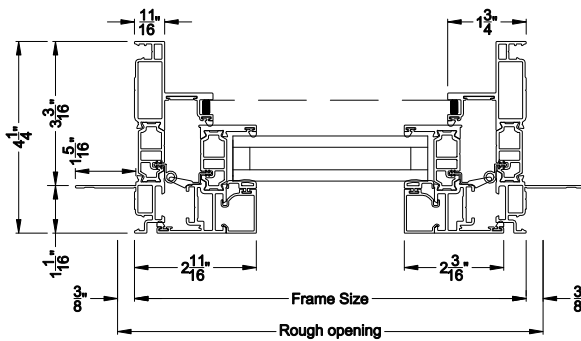
Mull / Stack Modular Stack Section
Direct Mull



Mull / Stack Modular Mull Section
Direct Mull

VUE COLLECTION AWNING WINDOW (4201)

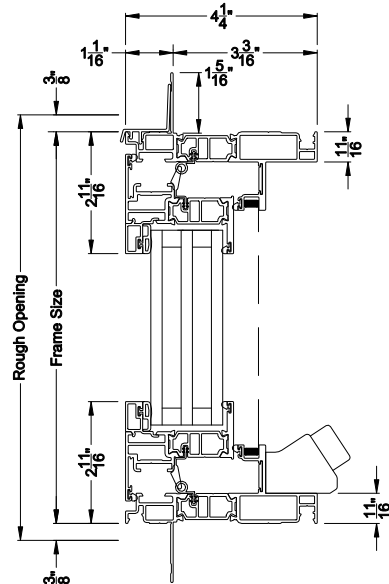
Horizontal Sections - Square Bead



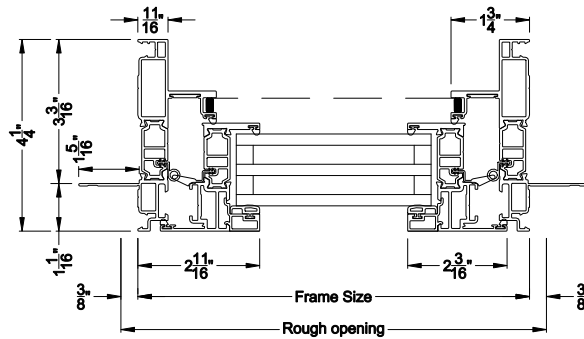
Mull / Stack Modular Mull Section
Direct Mull

Note: All dimensions are approximate. Weather Shield reserves the right to change specifications without notice.

VUE COLLECTION AWNING WINDOW (4201)
 Vertical Sections - ES Glass - Square Bead

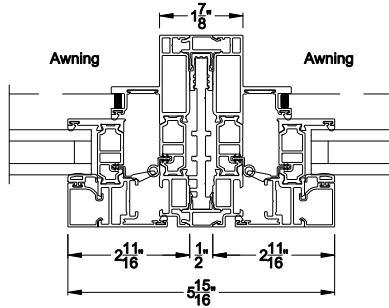


VUE COLLECTION AWNING WINDOW (4201)
 Horizontal Sections - ES Glass - Square Bead

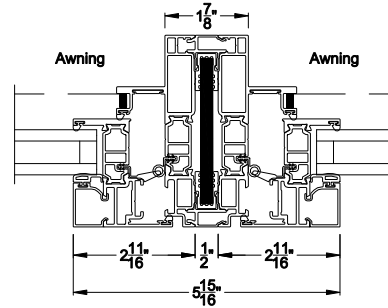


Note: All dimensions are approximate. Weather Shield reserves the right to change specifications without notice.

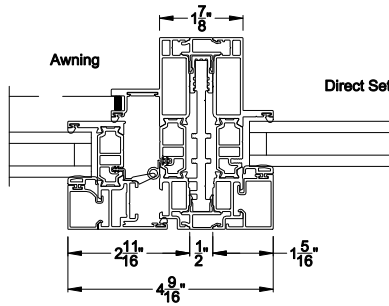
VUE COLLECTION AWNING WINDOW
Modular Reinforced Mullion Sections - Square Bead



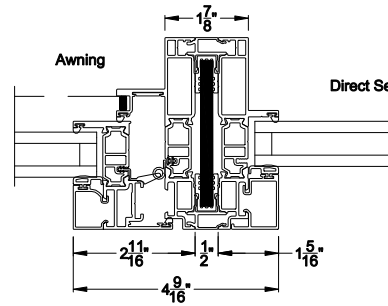
Mull / Stack Modular Mull Section
1/2" Aluminum Reinforcement



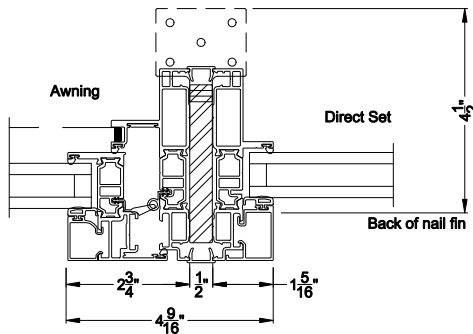
Mull / Stack Modular Mull Section
1/2" Steel Reinforcement



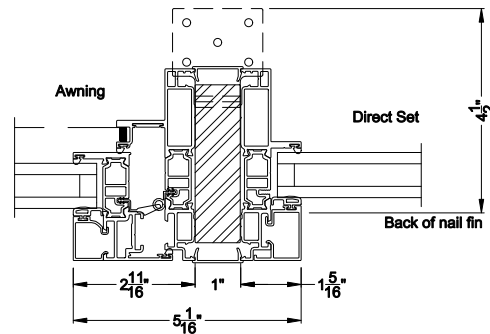
Mull / Stack Modular Mull Section
1/2" Aluminum Reinforcement



Mull / Stack Modular Mull Section
1/2" Steel Reinforcement



Mull / Stack Modular Mull Section
1/2" Anchored Steel Reinforcement



Mull / Stack Modular Mull Section
1" Anchored Steel Reinforcement

Note: All dimensions are approximate. Weather Shield reserves the right to change specifications without notice.