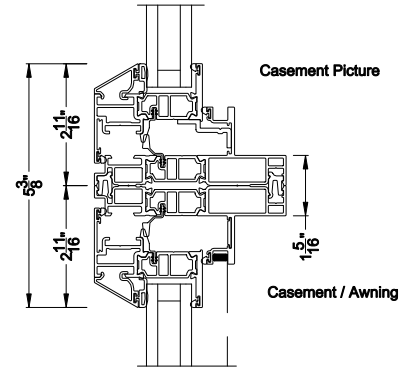
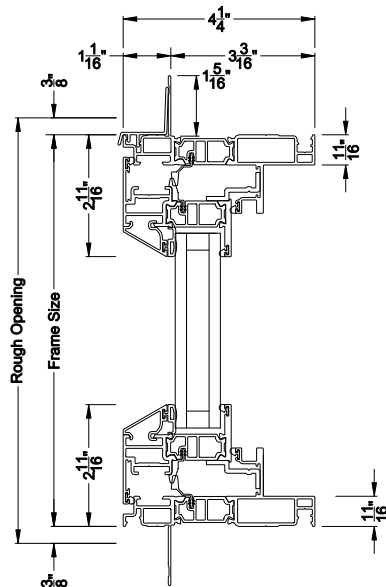
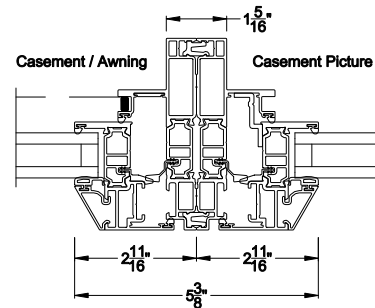


### VUE COLLECTION CASEMENT PICTURE WINDOW (4201)

Vertical Sections - Beveled Bead



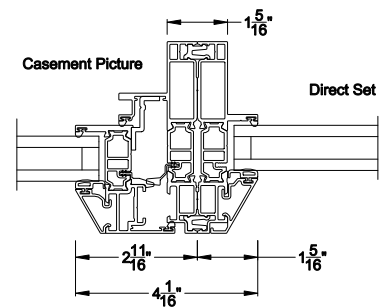
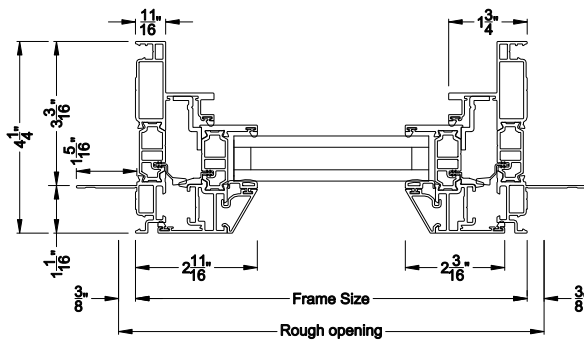
Mull / Stack Modular Stack Section  
Direct Mull



Mull / Stack Modular Mull Section  
Direct Mull

### VUE COLLECTION CASEMENT PICTURE WINDOW (4201)

Horizontal Sections - Beveled Bead

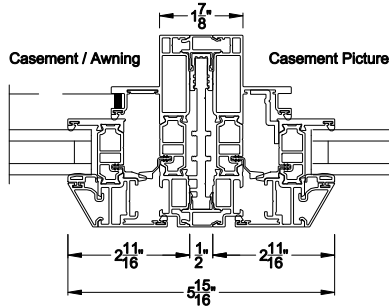


Mull / Stack Modular Mull Section  
Direct Mull

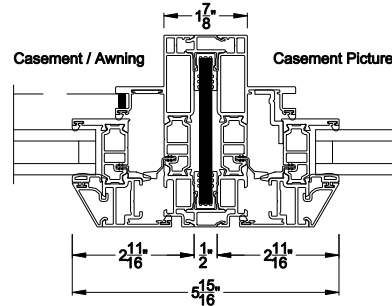
Note: All dimensions are approximate. Weather Shield reserves the right to change specifications without notice.

### VUE COLLECTION CASEMENT PICTURE WINDOW

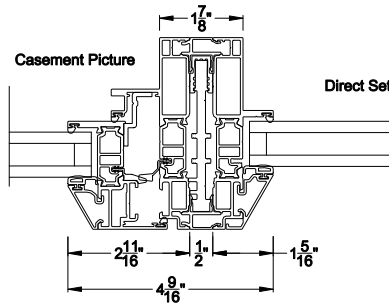
Modular Reinforced Mullion Sections - Beveled Bead



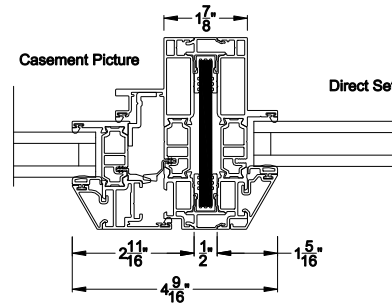
**Mull / Stack Modular Mull Section**  
1/2" Aluminum Reinforcement



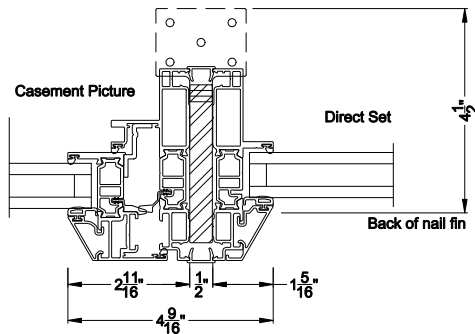
**Mull / Stack Modular Mull Section**  
1/2" Steel Reinforcement



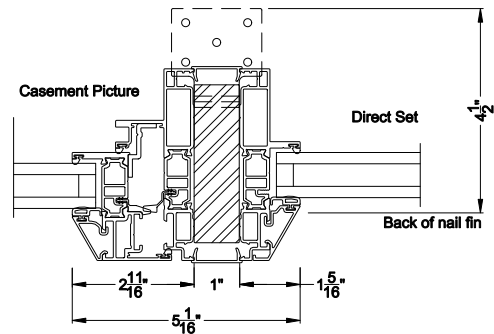
**Mull / Stack Modular Mull Section**  
1/2" Aluminum Reinforcement



**Mull / Stack Modular Mull Section**  
1/2" Steel Reinforcement



**Mull / Stack Modular Mull Section**  
1/2" Anchored Steel Reinforcement



**Mull / Stack Modular Mull Section**  
1" Anchored Steel Reinforcement

Note: All dimensions are approximate. Weather Shield reserves the right to change specifications without notice.