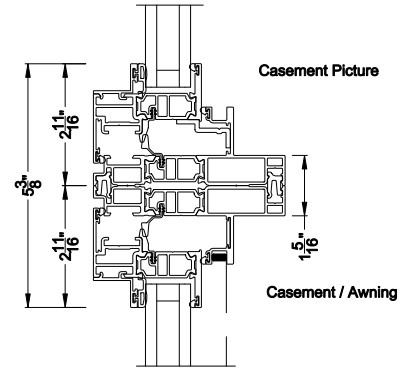
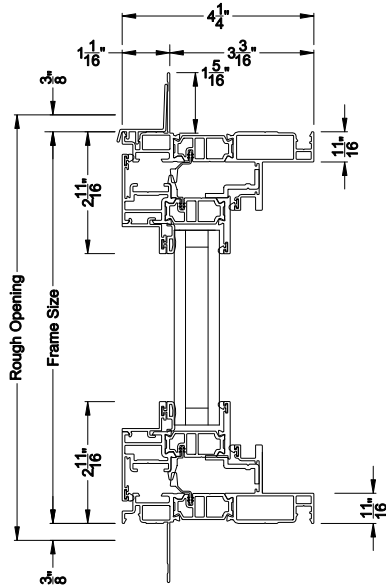
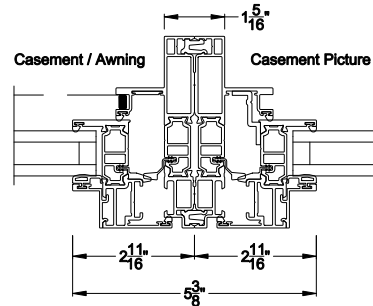


VUE COLLECTION CASEMENT PICTURE WINDOW (4201)

Vertical Sections - Narrow Bead



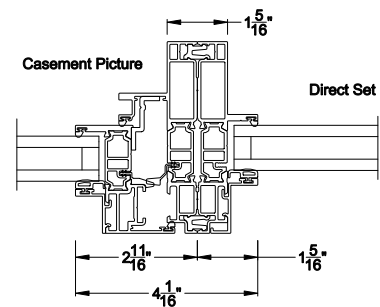
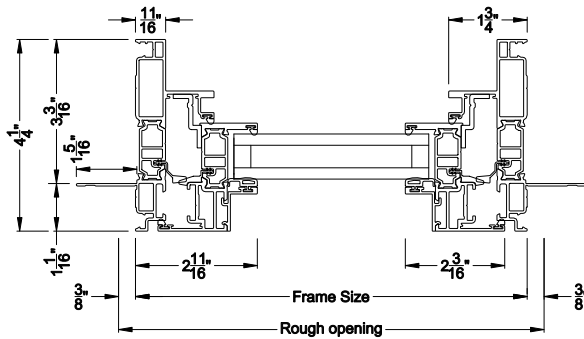
Mull / Stack Modular Stack Section
Direct Mull



Mull / Stack Modular Mull Section
Direct Mull

VUE COLLECTION CASEMENT PICTURE WINDOW (4201)

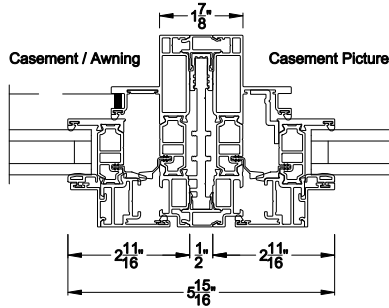
Horizontal Sections - Narrow Bead



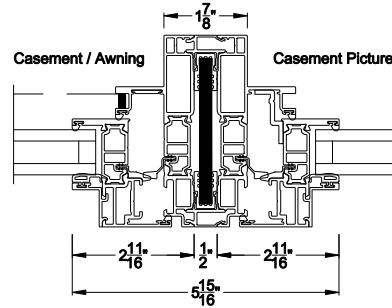
Mull / Stack Modular Mull Section
Direct Mull

Note: All dimensions are approximate. Weather Shield reserves the right to change specifications without notice.

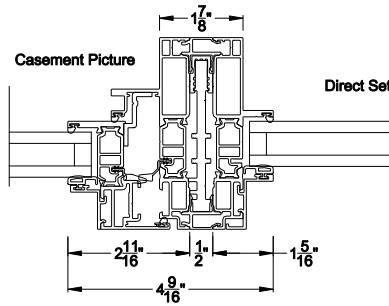
VUE COLLECTION CASEMENT PICTURE WINDOW
 Modular Reinforced Mullion Sections - Narrow Bead



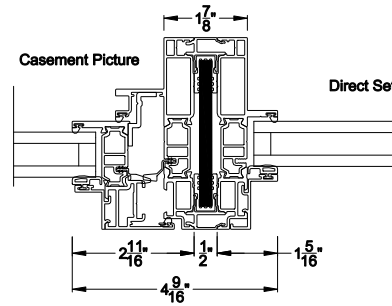
Mull / Stack Modular Mull Section
 1/2" Aluminum Reinforcement



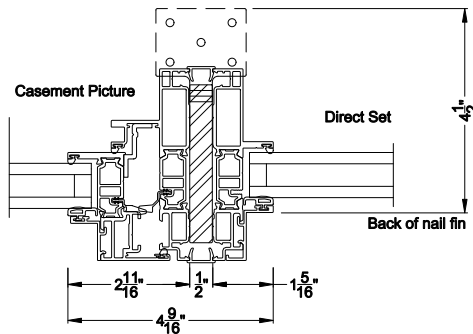
Mull / Stack Modular Mull Section
 1/2" Steel Reinforcement



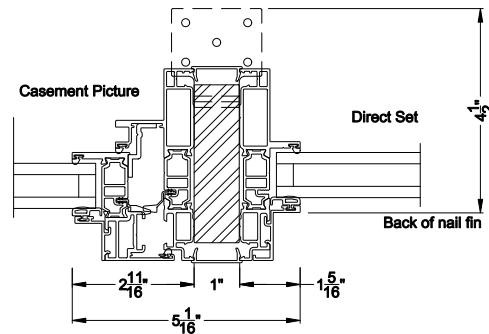
Mull / Stack Modular Mull Section
 1/2" Aluminum Reinforcement



Mull / Stack Modular Mull Section
 1/2" Steel Reinforcement



Mull / Stack Modular Mull Section
 1/2" Anchored Steel Reinforcement



Mull / Stack Modular Mull Section
 1" Anchored Steel Reinforcement

Note: All dimensions are approximate. Weather Shield reserves the right to change specifications without notice.