

Weather Shield®

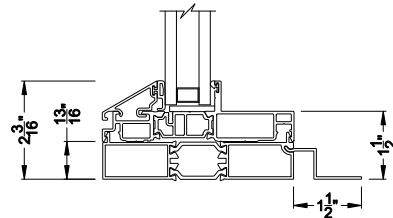
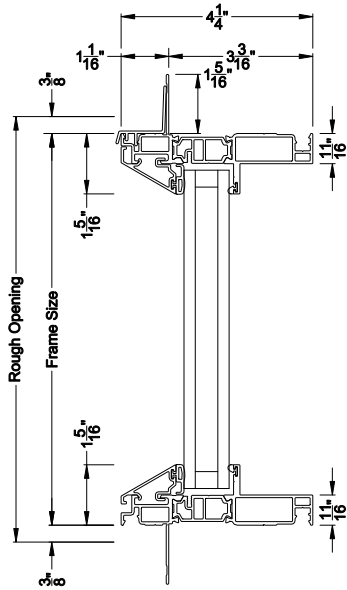
VUE Collection™

Direct Set Windows

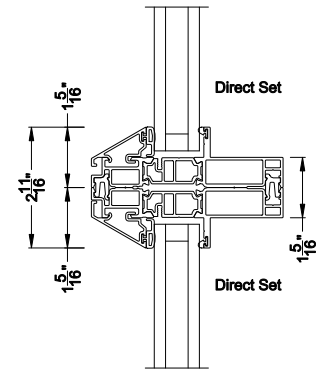
CROSS SECTION DETAILS

VUE COLLECTION DIRECT SET WINDOW (4301)

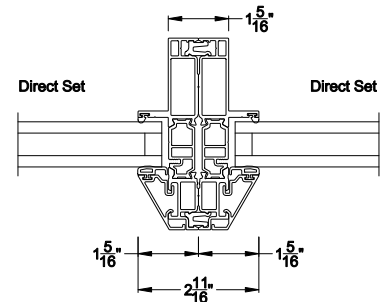
Vertical Sections - Beveled Bead



High Base Sill option
Shown with loose anchor strip



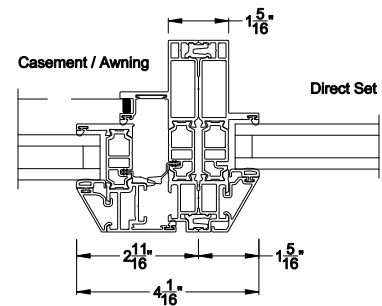
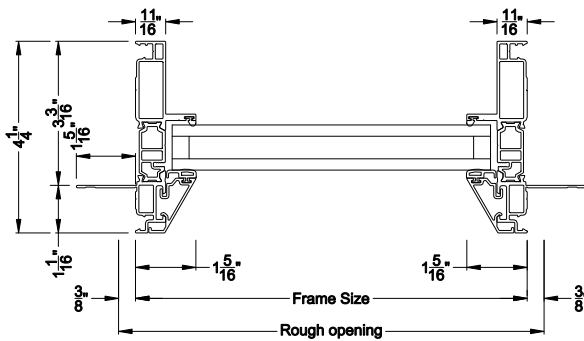
Mull / Stack Modular Stack Section
Direct Mull



Mull / Stack Modular Mull Section
Direct Mull

VUE COLLECTION DIRECT SET WINDOW (4301)

Horizontal Sections - Beveled Bead

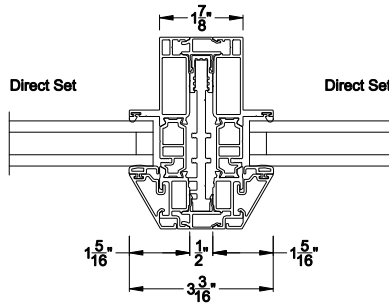


Mull / Stack Modular Mull Section
Direct Mull

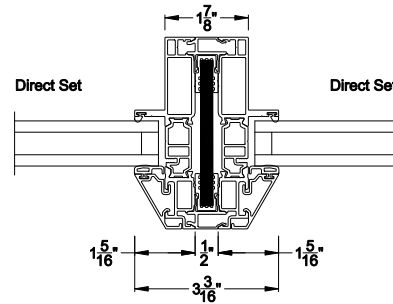
Note: All dimensions are approximate. Weather Shield reserves the right to change specifications without notice.

VUE COLLECTION DIRECT SET WINDOW

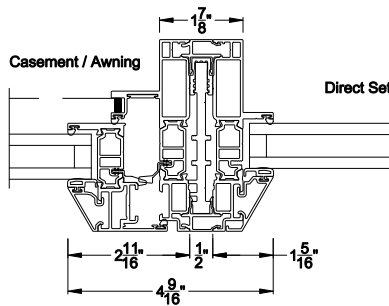
Modular Reinforced Mullion Sections - Narrow Bead



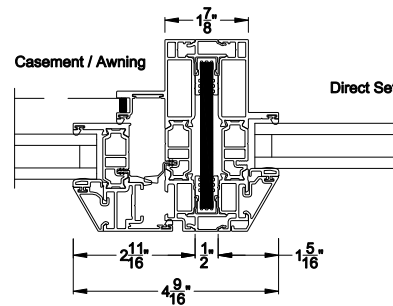
Mull / Stack Modular Mull Section
1/2" Aluminum Reinforcement



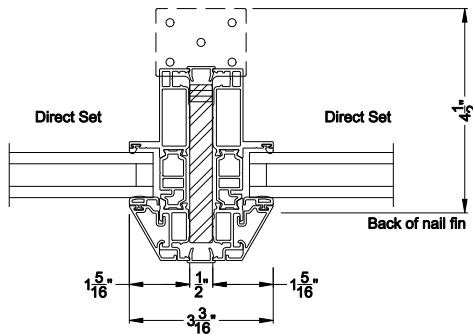
Mull / Stack Modular Mull Section
1/2" Steel Reinforcement



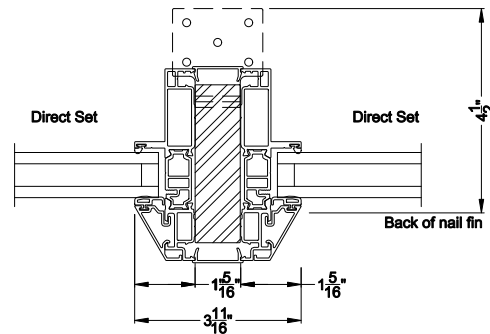
Mull / Stack Modular Mull Section
1/2" Aluminum Reinforcement



Mull / Stack Modular Mull Section
1/2" Steel Reinforcement

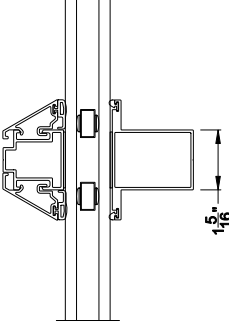


Mull / Stack Modular Mull Section
1/2" Anchored Steel Reinforcement

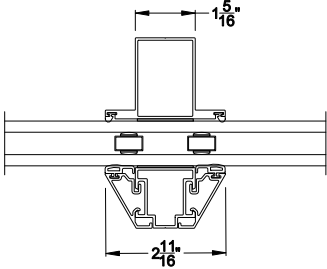


Mull / Stack Modular Mull Section
1" Anchored Steel Reinforcement

Note: All dimensions are approximate. Weather Shield reserves the right to change specifications without notice.



**Simulated Stack
Beveled Bead**



**Simulated Mull
Beveled Bead**

Note: All dimensions are approximate. Weather Shield reserves the right to change specifications without notice.