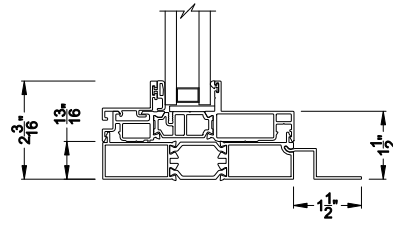
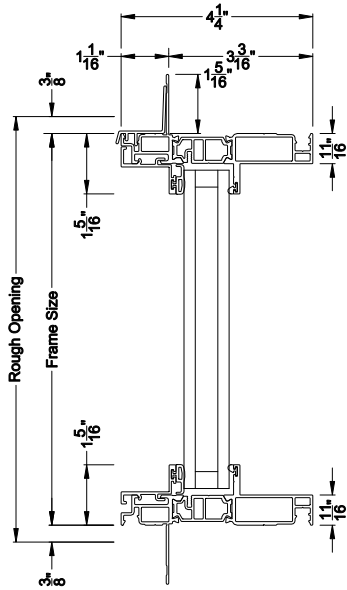
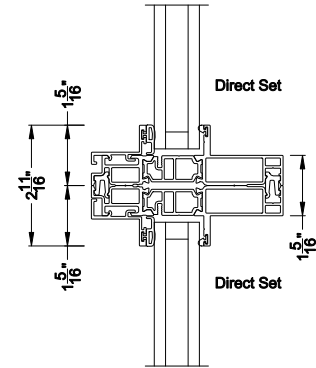


### VUE COLLECTION DIRECT SET WINDOW (4301)

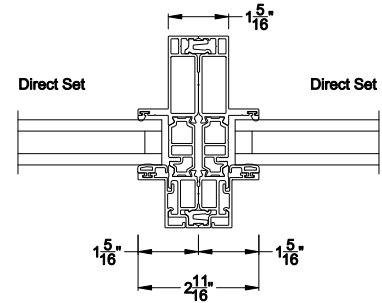
Vertical Sections - Narrow Bead



High Base Sill option  
Shown with loose anchor strip



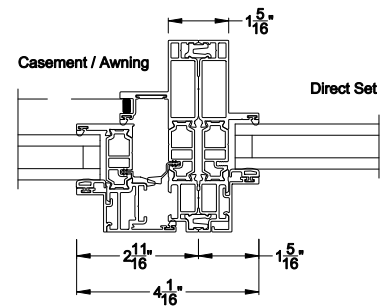
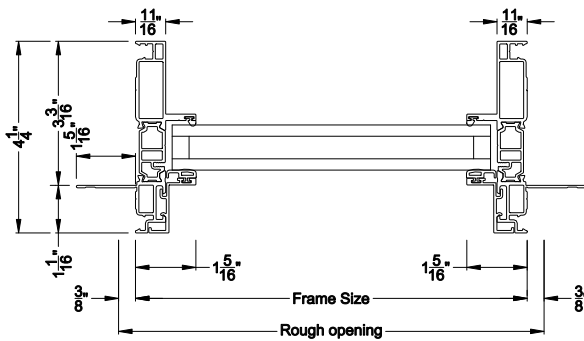
Mull / Stack Modular Stack Section  
Direct Mull



Mull / Stack Modular Mull Section  
Direct Mull

### VUE COLLECTION DIRECT SET WINDOW (4301)

Horizontal Sections - Narrow Bead

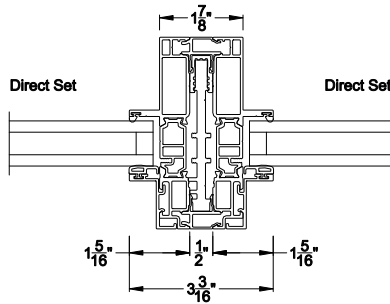


Mull / Stack Modular Mull Section  
Direct Mull

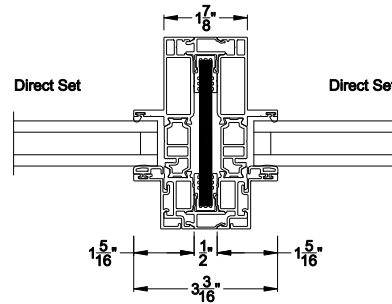
Note: All dimensions are approximate. Weather Shield reserves the right to change specifications without notice.

### VUE COLLECTION DIRECT SET WINDOW

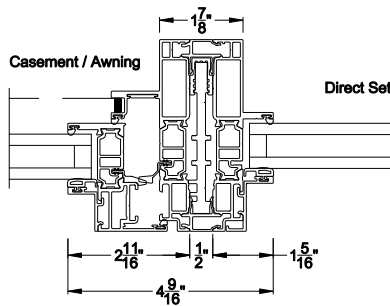
Modular Reinforced Mullion Sections - Narrow Bead



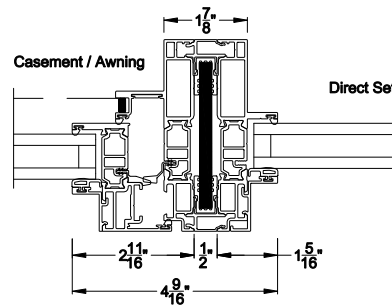
**Mull / Stack Modular Mull Section**  
1/2" Aluminum Reinforcement



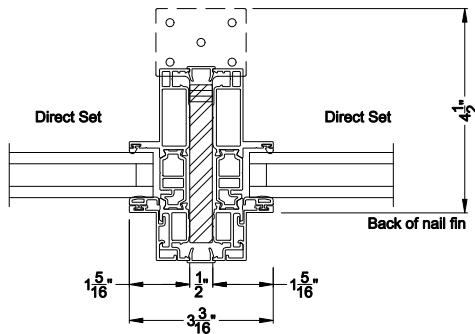
**Mull / Stack Modular Mull Section**  
1/2" Steel Reinforcement



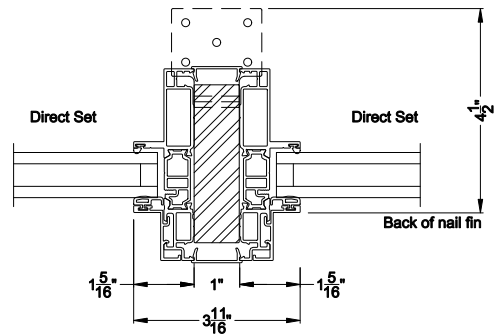
**Mull / Stack Modular Mull Section**  
1/2" Aluminum Reinforcement



**Mull / Stack Modular Mull Section**  
1/2" Steel Reinforcement

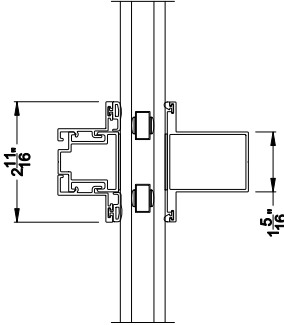


**Mull / Stack Modular Mull Section**  
1/2" Anchored Steel Reinforcement

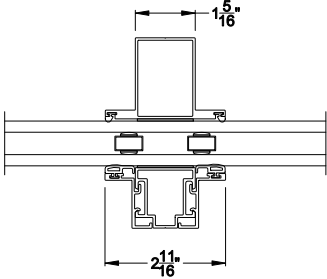


**Mull / Stack Modular Mull Section**  
1" Anchored Steel Reinforcement

Note: All dimensions are approximate. Weather Shield reserves the right to change specifications without notice.



**Simulated Stack**  
**Narrow Bead**



**Simulated Mull**  
**Narrow Bead**

Note: All dimensions are approximate. Weather Shield reserves the right to change specifications without notice.