

Weather Shield®

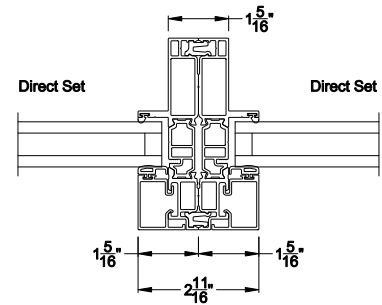
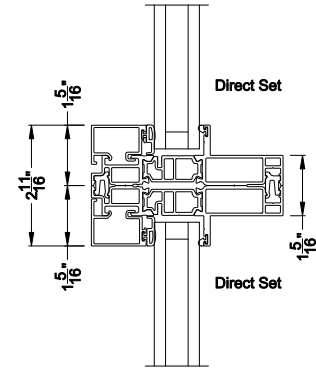
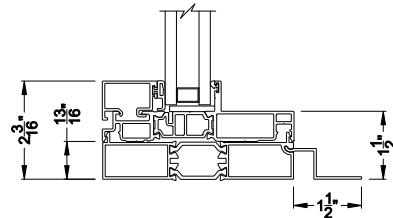
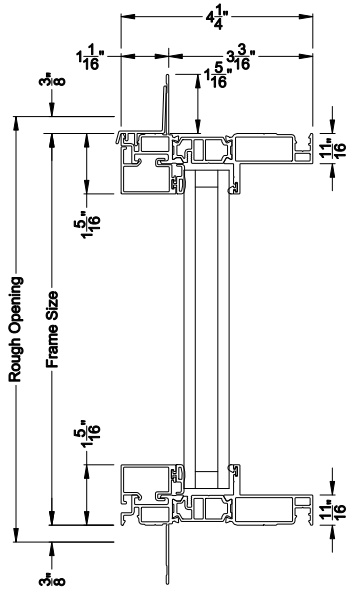
VUE Collection™

Direct Set Windows

CROSS SECTION DETAILS

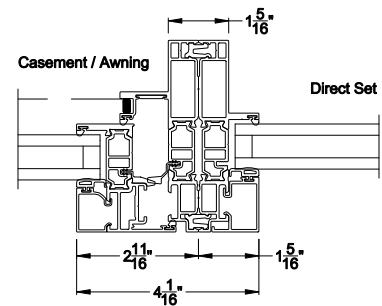
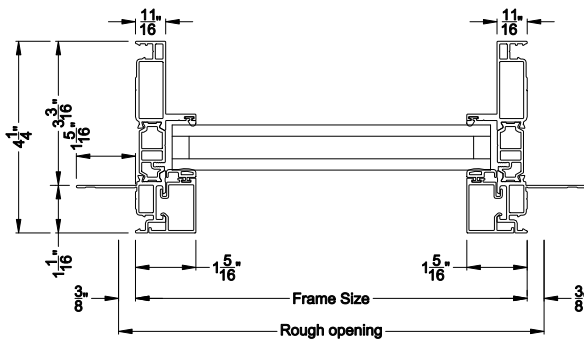
VUE COLLECTION DIRECT SET WINDOW (4301)

Vertical Sections - Square Bead



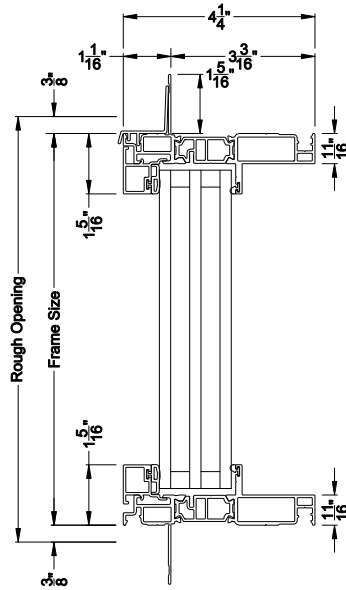
VUE COLLECTION DIRECT SET WINDOW (4301)

Horizontal Sections - Square Bead

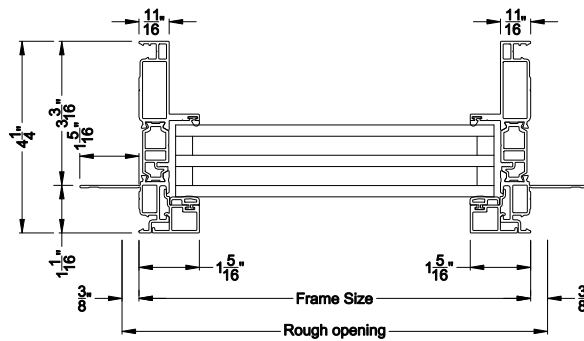


Note: All dimensions are approximate. Weather Shield reserves the right to change specifications without notice.

VUE COLLECTION DIRECT SET WINDOW (4301)
 Vertical Sections - ES Zo-E 7 - Square Bead



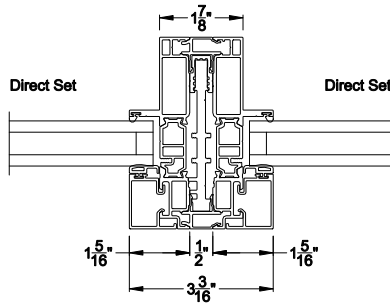
VUE COLLECTION DIRECT SET WINDOW (4301)
 Horizontal Sections - ES Zo-E 7 - Square Bead



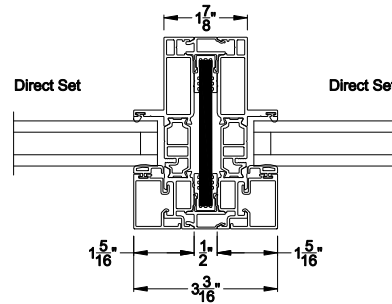
Note: All dimensions are approximate. Weather Shield reserves the right to change specifications without notice.

VUE COLLECTION DIRECT SET WINDOW

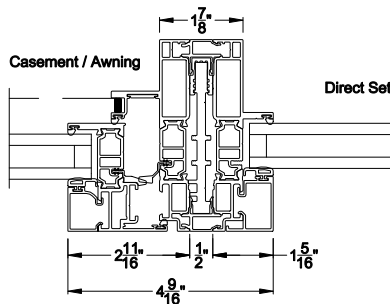
Modular Reinforced Mullion Sections - Square Bead



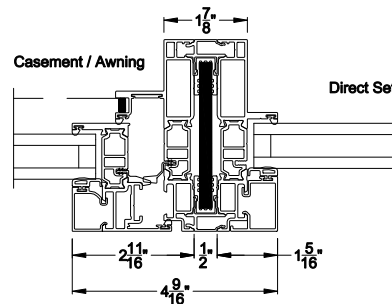
Mull / Stack Modular Mull Section
1/2" Aluminum Reinforcement



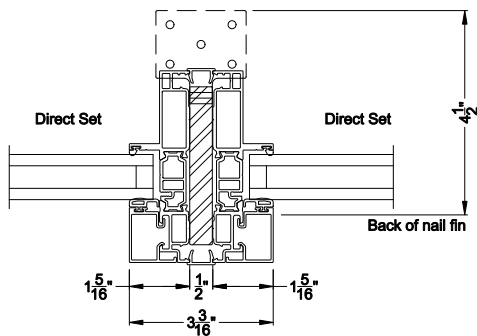
Mull / Stack Modular Mull Section
1/2" Steel Reinforcement



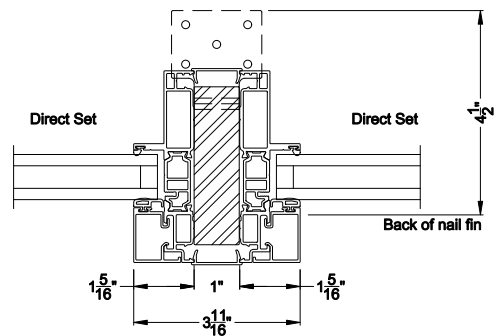
Mull / Stack Modular Mull Section
1/2" Aluminum Reinforcement



Mull / Stack Modular Mull Section
1/2" Steel Reinforcement

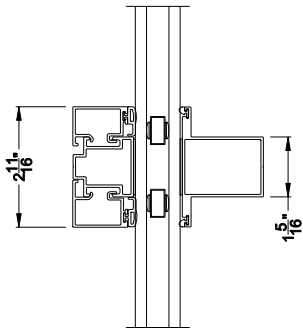


Mull / Stack Modular Mull Section
1/2" Anchored Steel Reinforcement

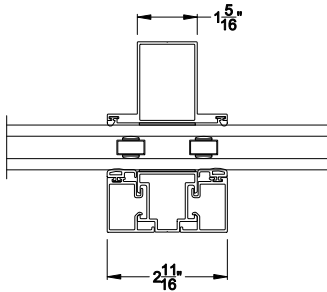


Mull / Stack Modular Mull Section
1" Anchored Steel Reinforcement

Note: All dimensions are approximate. Weather Shield reserves the right to change specifications without notice.



**Simulated Stack
Square Bead**



**Simulated Mull
Square Bead**

Note: All dimensions are approximate. Weather Shield reserves the right to change specifications without notice.