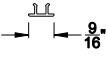
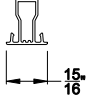
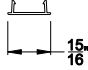
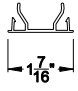
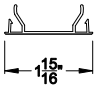
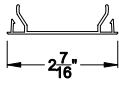
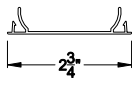
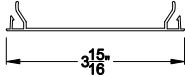
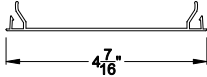
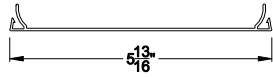
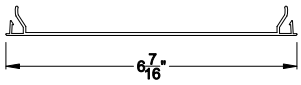
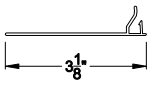
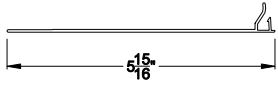
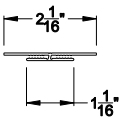
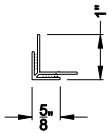
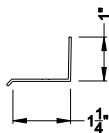
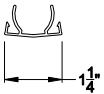
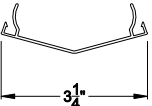
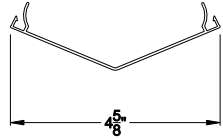
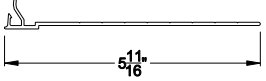
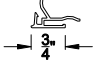
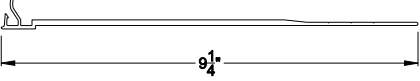
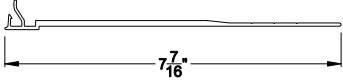
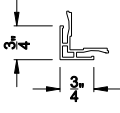
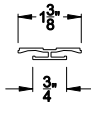


60-4196-01 (176") 	P0130000 (176") 	85-11779-01 (174") 	85-11070-01 (176") 
DIRECT MULL CLIP	1/2" MULL COVER	1/2" MULL COVER	1" MULL COVER
04-2224-02 (176") 	04-2225-02 (176") 	60-5990 (176") 	
1 1/2" MULL COVER	2" MULL COVER	2 1/4" MULL COVER	
04-2226-02 (176") 	85-10571-01 (176") 	60-13020-01 (176") 	
3 1/2" MULL COVER	4" MULL COVER	5 1/2" MULL COVER	
85-10572-01 (176") 	04-2175-02 (176") 	04-2176-02 (176") 	
6" MULL COVER	SHORT TRIM FLANGE	LONG TRIM FLANGE	
04-2300-02 (174") 	04-2097-02 (174") 	04-2064-02 (176") 	
MULL RECEPTOR	90° CORNER COVER	DRIP CAP	
A1616 (174") 	A1615 (174") 	A1608 (174") 	
10° BAY MULL COVER	30° BAY MULL COVER	45° BAY MULL COVER	

Note: All dimensions are approximate. Weather Shield reserves the right to change specifications without notice.

<p>45-37842 (230")</p> 	<p>45-37841 (230")</p> 	<p>45-39347 (230")</p> 
<p>2 PIECE MULL COVER (MALE)</p>	<p>2 PIECE MULL COVER (FEMALE)</p>	<p>2 PIECE MULL COVER EXTENDED (MALE)</p>
<p>45-40412 (230")</p> 	<p>45-40199 (230")</p> 	
<p>2 PIECE MULL COVER MID (MALE)</p>	<p>90° MULL CORNER COVER</p>	<p>H CONNECTOR</p>

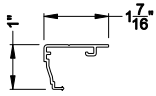
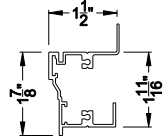
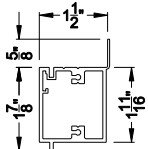
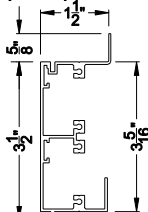
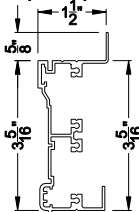
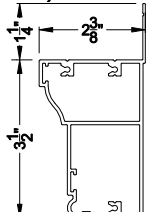
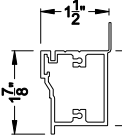
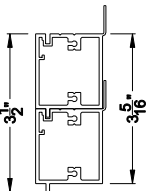
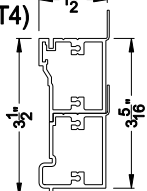
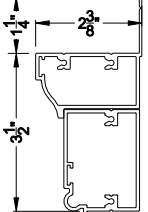
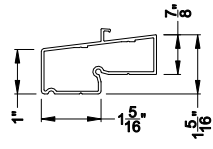
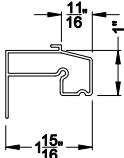
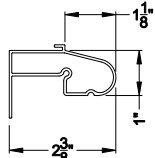
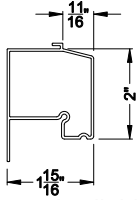
Note: All dimensions are approximate. Weather Shield reserves the right to change specifications without notice.

# Weather Shield®

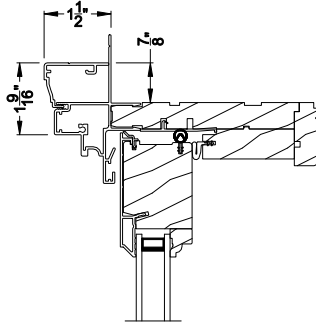
## Premium Series™

# Clad Accessories and Trim

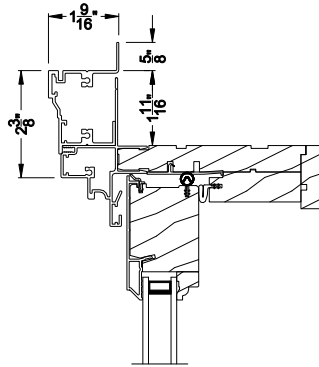
## CROSS SECTION DETAILS

<p>04-2183-02 (176")</p> 	<p>04-A1549 (174")</p> 	<p>04-A8638 (228" T4)</p> 
<p>7/8" BRICKMOULD</p>	<p>1-11/16" BRICKMOULD</p>	<p>1-11/16" FLAT CASING</p>
<p>04-A1545 (174")</p> 	<p>04-2181-02 (228")</p> 	<p>45-02285 (176")</p> 
<p>3-5/16" FLAT CASING</p>	<p>HISTORICAL BRICKMOULD</p>	<p>3-1/2" Mid-Atlantic Casing</p>
<p>04-A8637 (228" T4)</p> 	<p>04-A8638 x2 (228" T4)</p> 	<p>04-A8637 (228" T4) 04-2182-02 (228" T4)</p> 
<p>Bendable Profile</p>	<p>2 Piece Bendable Profile</p>	<p>2 Piece Bendable Profile</p>
<p>1-11/16" BRICKMOULD</p>	<p>FLAT CASING</p>	<p>HISTORICAL BRICKMOULD</p>
<p>45-02313 (288") 45-02317 (174")</p> 	<p>04-A1552 (176")</p> 	<p>45-02287 (176")</p> 
<p>Mid-Atlantic Casing (Bendable)</p>	<p>3/4" SILL NOSING</p>	<p>*Mid Atlantic Casing uses this sill nose only</p>
<p>1-5/16" Projected Sill Nosing</p>		
<p>60-9561 (176")</p> 	<p>60-9601 (176")</p> 	<p>60-9962 (176")</p> 
<p>End Caps Available</p>	<p>End Caps Available</p>	<p>End Caps Available</p>
<p>#9561 1" BULL NOSE</p>	<p>1" FULL ROUND BULL NOSE</p>	<p>#9962 2" BULL NOSE</p>

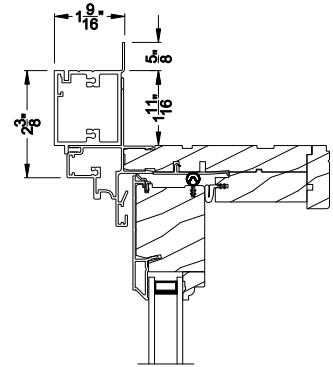
Note: All dimensions are approximate. Weather Shield reserves the right to change specifications without notice.



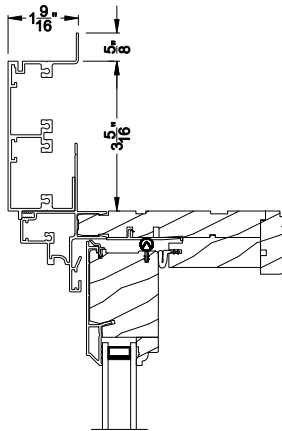
**7/8" BRICKMOULD**  
Head Section Detail



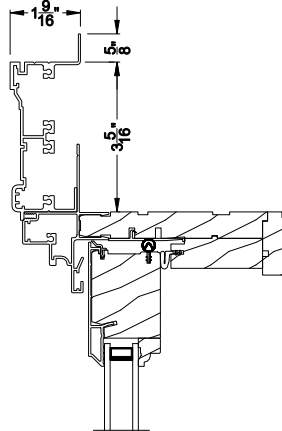
**1 11/16" BRICKMOULD**  
Head Section Detail



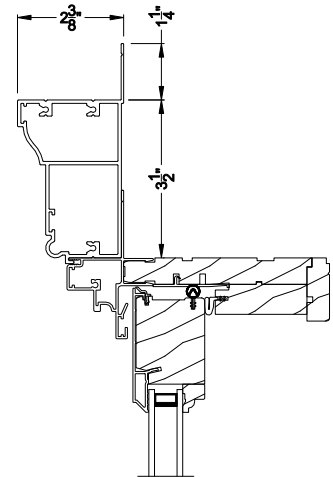
**1 11/16" FLAT CASING**  
Head Section Detail



**3 5/16" FLAT CASING**  
Head Section Detail

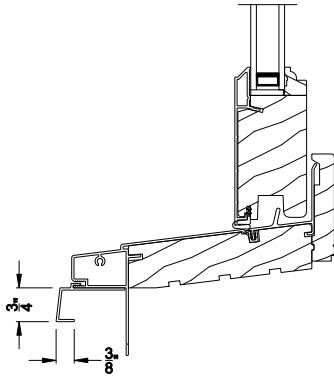


**3 5/16" HISTORICAL BRICKMOULD**  
Head Section Detail

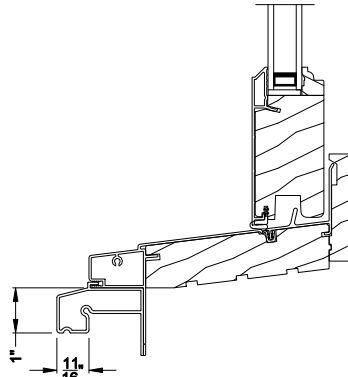


**Mid Atlantic Casing**  
Head Section Detail

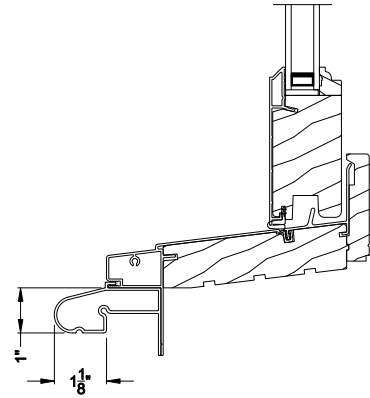
Note: All dimensions are approximate. Weather Shield reserves the right to change specifications without notice.



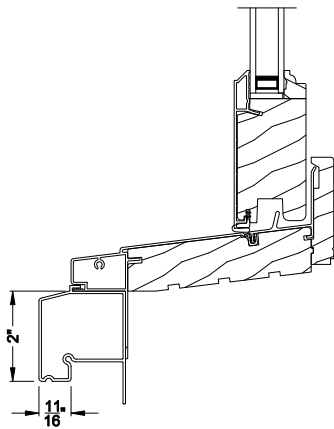
**3/4" BULL NOSE**  
Sill Section Detail



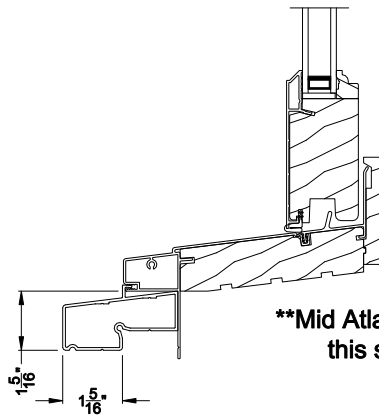
**1" BULL NOSE\***  
Sill Section Detail



**1" FULL ROUND BULL NOSE\***  
Sill Section Detail



**2" BULL NOSE\***  
Sill Section Detail



**1 5/16" PROJECTED SILL NOSE\***  
Sill Section Detail

**\*\*Mid Atlantic Casing uses  
this sill nose only**

\* Available with color matched end caps.

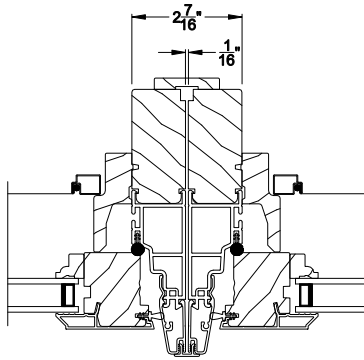
Note: All dimensions are approximate. Weather Shield reserves the right to change specifications without notice.

# Weather Shield®

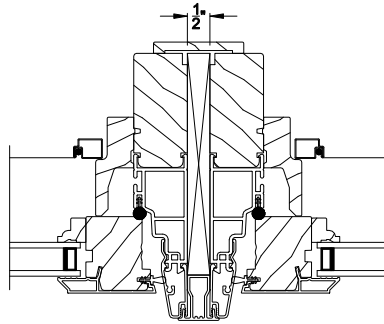
## Premium Series™

# Clad Trim Applications

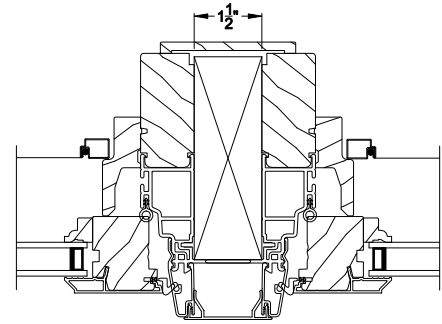
## CROSS SECTION DETAILS



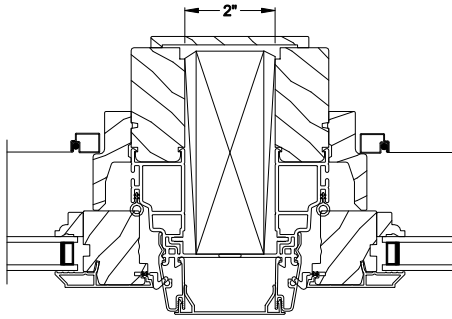
**TIGHT MULL**  
Jamb Section Detail



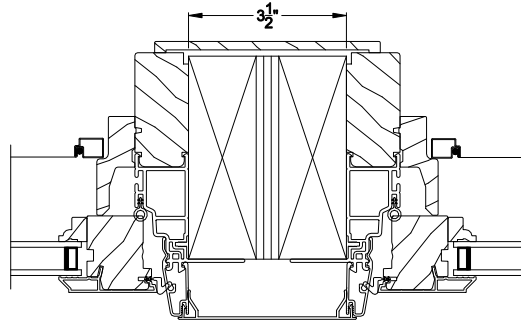
**1/2" SPREAD MULL**  
Jamb Section Detail



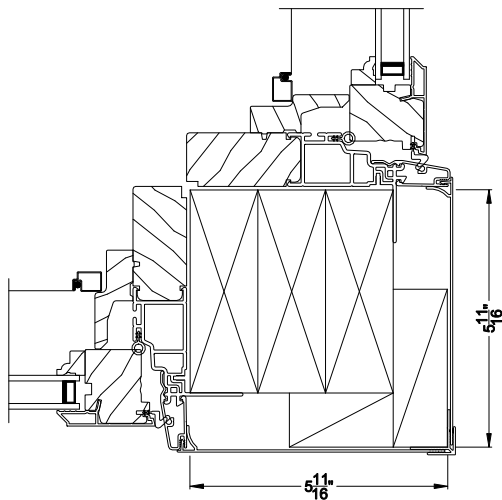
**1 1/2" SPREAD MULL**  
Jamb Section Detail



**2" SPREAD MULL**  
Jamb Section Detail



**3 1/2" SPREAD MULL**  
Jamb Section Detail



**90 DEGREE CORNER MULL**  
Jamb Section Detail

NOTE: Drawings show typical filed mull applications.  
Factory mullered units may vary.

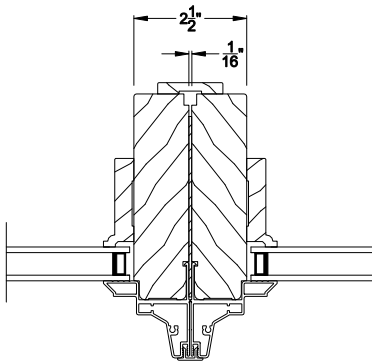
Note: All dimensions are approximate. Weather Shield reserves the right to change specifications without notice.

# Weather Shield®

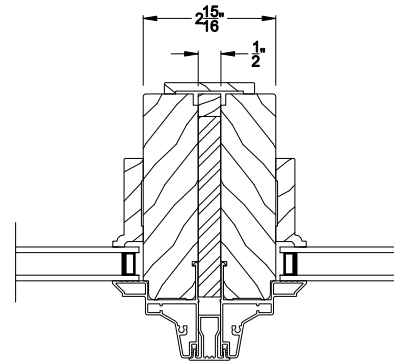
## Premium Series™

# Clad Trim Applications

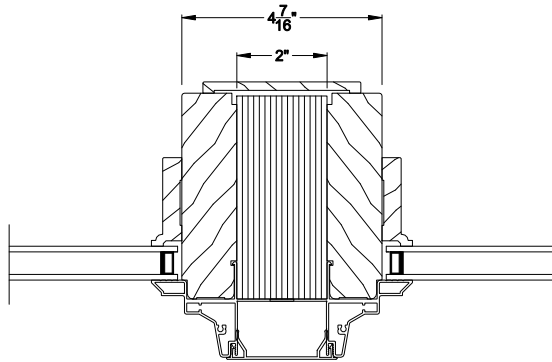
## CROSS SECTION DETAILS



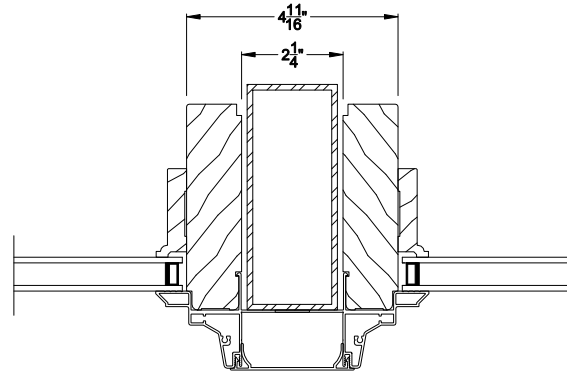
**1/16"x4" STEEL REINFORCEMENT**  
Jamb Section Detail



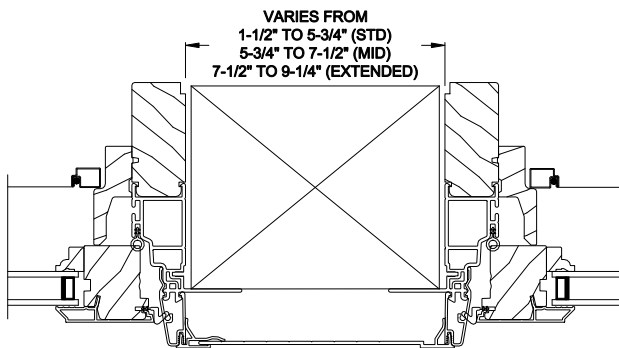
**1/2"x4" STEEL OR ALUMINUM REINFORCEMENT**  
Jamb Section Detail



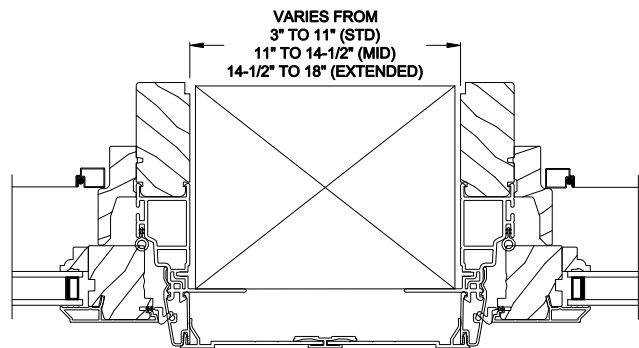
**2" LVL REINFORCEMENT**  
Jamb Section Detail



**2"x5"x1/8" ALUMINUM TUBE REINFORCEMENT**  
Jamb Section Detail  
(Field Mull Only)



**2 PIECE SPREAD MULL**  
(STD SHOWN)  
Jamb Section Detail



**3 PIECE SPREAD MULL**  
(STD SHOWN)  
Jamb Section Detail

NOTE: Drawings show typical filed mull applications.

Note: All dimensions are approximate. Weather Shield reserves the right to change specifications without notice.