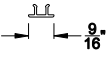
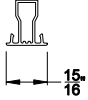
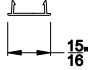
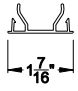
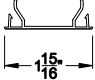
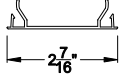
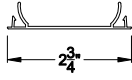
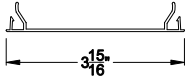
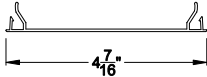
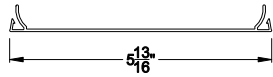
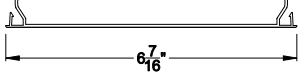
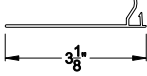
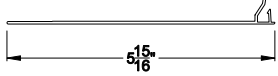
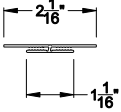
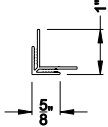
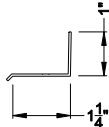
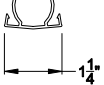
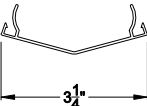
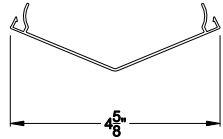


60-4196-01 (176") 	P0130000 (176") 	85-11779-01 (174") 	85-11070-01 (176") 
DIRECT MULL CLIP	1/2" MULL COVER	1/2" MULL COVER	1" MULL COVER
04-2224-02 (176") 	04-2225-02 (176") 	60-5990 (176") 	
1 1/2" MULL COVER	2" MULL COVER	2 1/4" MULL COVER	
04-2226-02 (176") 	85-10571-01 (176") 	60-13020-01 (176") 	
3 1/2" MULL COVER	4" MULL COVER	5 1/2" MULL COVER	
85-10572-01 (176") 	04-2175-02 (176") 	04-2176-02 (176") 	
6" MULL COVER	SHORT TRIM FLANGE	LONG TRIM FLANGE	
04-2300-02 (174") 	04-2097-02 (174") 	04-2064-02 (176") 	
MULL RECEPTOR	90° CORNER COVER	DRIP CAP	
A1616 (174") 	A1615 (174") 	A1608 (174") 	
10° BAY MULL COVER	30° BAY MULL COVER	45° BAY MULL COVER	

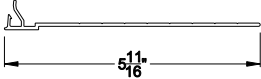
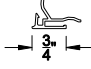
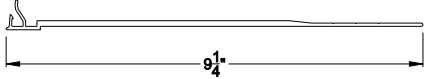
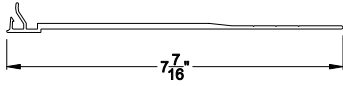
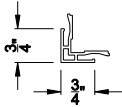
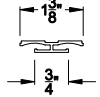
Note: All dimensions are approximate. Weather Shield reserves the right to change specifications without notice.

Weather Shield®

Contemporary Collection™

Clad Accessories and Trim

CROSS SECTION DETAILS

<p>45-37842 (230")</p> 	<p>45-37841 (230")</p> 	<p>45-39347 (230")</p> 
<p>2 PIECE MULL COVER (MALE)</p>	<p>2 PIECE MULL COVER (FEMALE)</p>	<p>2 PIECE MULL COVER EXTENDED (MALE)</p>
<p>45-40412 (230")</p> 	<p>45-40199 (230")</p> 	
<p>2 PIECE MULL COVER MID (MALE)</p>	<p>90° MULL CORNER COVER</p>	<p>H CONNECTOR</p>

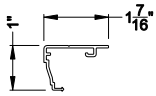
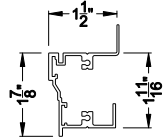
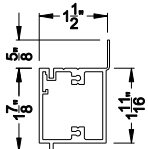
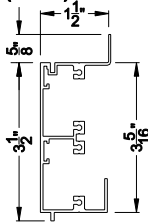
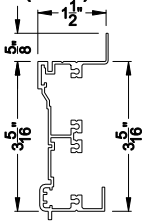
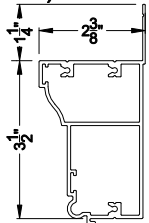
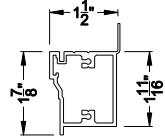
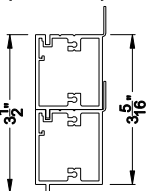
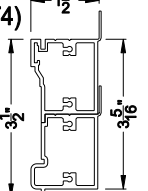
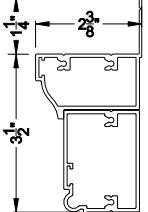
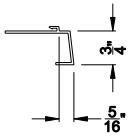
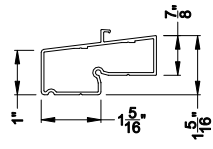
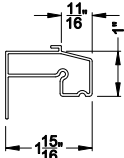
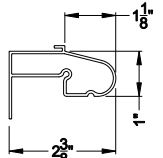
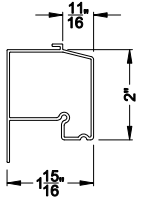
Note: All dimensions are approximate. Weather Shield reserves the right to change specifications without notice.

Weather Shield®

Contemporary Collection™

Clad Accessories and Trim

CROSS SECTION DETAILS

04-2183-02 (176") 	04-A1549 (174") 	04-A8638 (228" T4) 
7/8" BRICKMOULD	1-11/16" BRICKMOULD	1-11/16" FLAT CASING
04-A1545 (174") 	04-2181-02 (228") 	45-02285 (176") 
3-5/16" FLAT CASING	HISTORICAL BRICKMOULD	3-1/2" Mid-Atlantic Casing
04-A8637 (228" T4) 	04-A8638 x2 (228" T4) 	04-A8637 (228" T4) 04-2182-02 (228" T4) 
Bendable Profile	2 Piece Bendable Profile	2 Piece Bendable Profile
1-11/16" BRICKMOULD	FLAT CASING	HISTORICAL BRICKMOULD
45-02313 (288") 45-02317 (174") 	04-A1552 (176") 	45-02287 (176")  <p>*Mid Atlantic Casing uses this sill nose only</p>
Mid-Atlantic Casing (Bendable)	3/4" SILL NOSING	1-5/16" Projected Sill Nosing
60-9561 (176") 	60-9601 (176") 	60-9962 (176") 
End Caps Available	End Caps Available	End Caps Available
#9561 1" BULL NOSE	1" FULL ROUND BULL NOSE	#9962 2" BULL NOSE

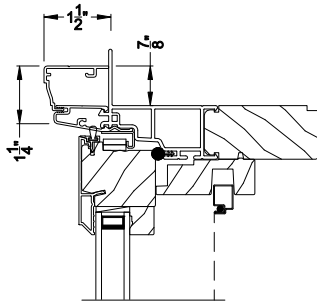
Note: All dimensions are approximate. Weather Shield reserves the right to change specifications without notice.

Weather Shield®

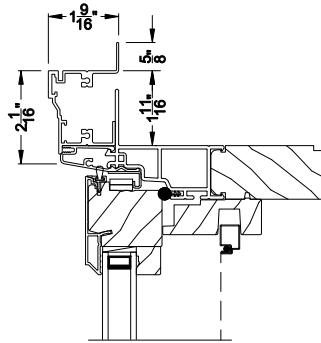
Contemporary Collection™

Clad Trim Applications

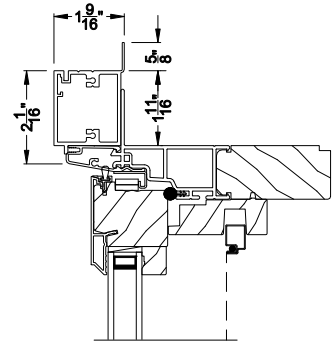
CROSS SECTION DETAILS



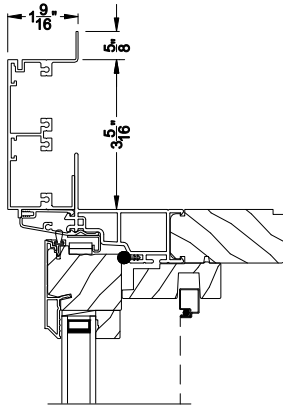
7/8" BRICKMOULD
Head Section Detail



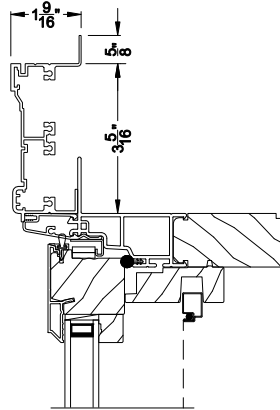
1 11/16" BRICKMOULD
Head Section Detail



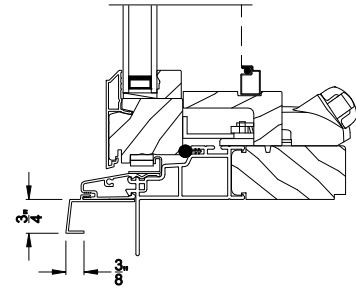
1 11/16" BRICKMOULD
Head Section Detail



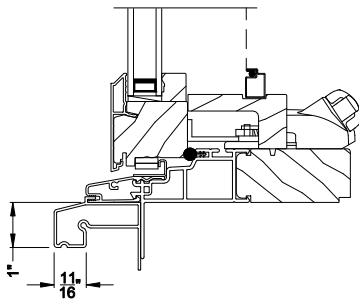
3 5/16" FLAT CASING
Head Section Detail



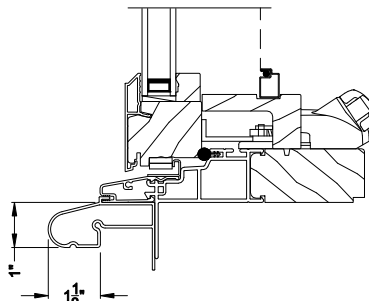
3 5/16" HISTORICAL BRICKMOULD
Head Section Detail



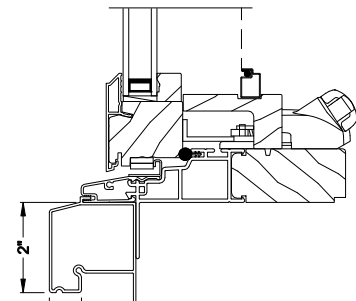
3/4" BULL NOSE
Sill Section Detail



1" BULL NOSE*
Sill Section Detail



1" FULL ROUND BULL NOSE*
Sill Section Detail



2" BULL NOSE*
Sill Section Detail

* Available with color matched end caps.

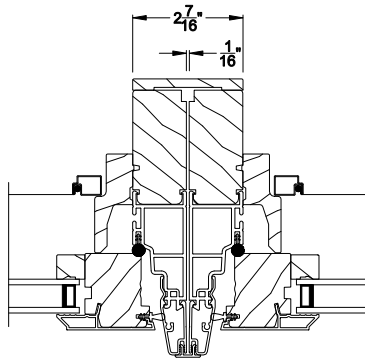
Note: All dimensions are approximate. Weather Shield reserves the right to change specifications without notice.

Weather Shield®

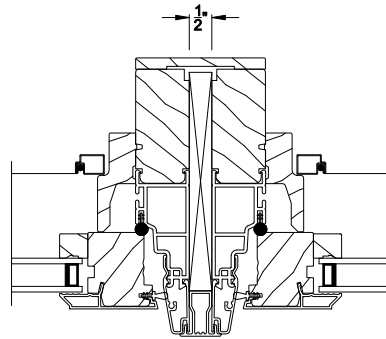
Contemporary Collection™

Clad Trim Applications

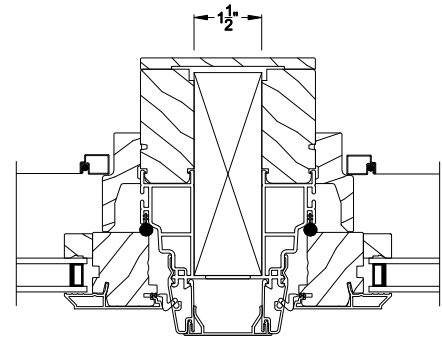
CROSS SECTION DETAILS



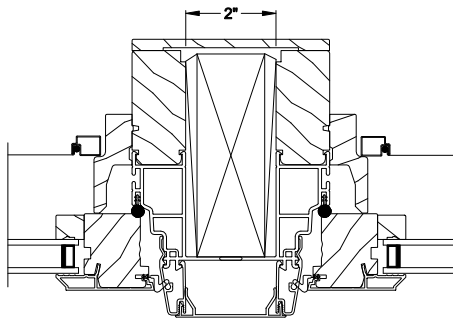
TIGHT MULL
Jamb Section Detail



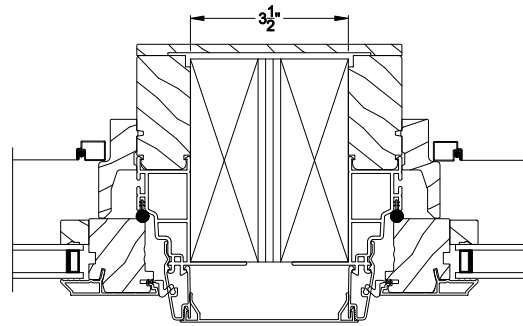
1/2" SPREAD MULL
Jamb Section Detail



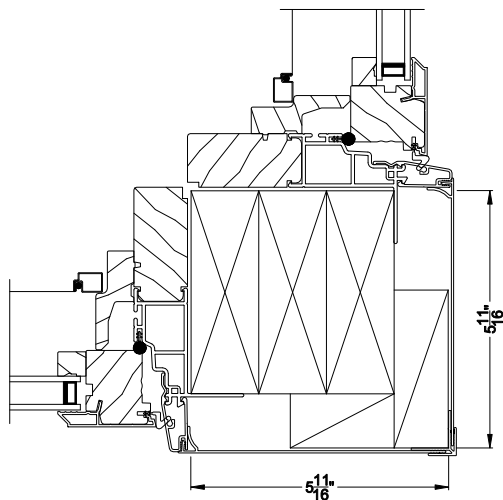
1 1/2" SPREAD MULL
Jamb Section Detail



2" SPREAD MULL
Jamb Section Detail



3 1/2" SPREAD MULL
Jamb Section Detail



90 DEGREE CORNER MULL
Jamb Section Detail

NOTE: Drawings show typical filed mull applications.
Factory mullered units may vary.

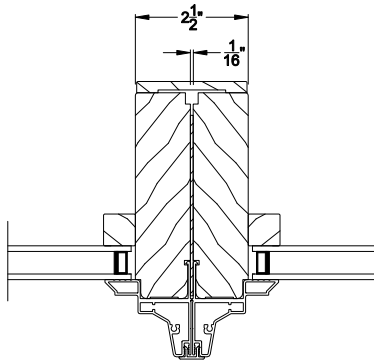
Note: All dimensions are approximate. Weather Shield reserves the right to change specifications without notice.

Weather Shield®

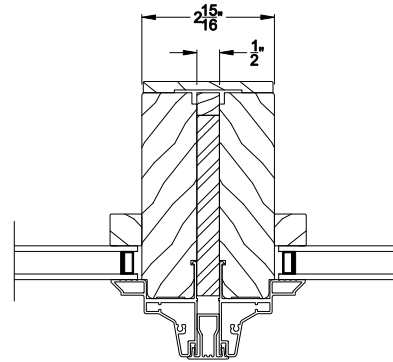
Contemporary Collection™

Clad Trim Applications

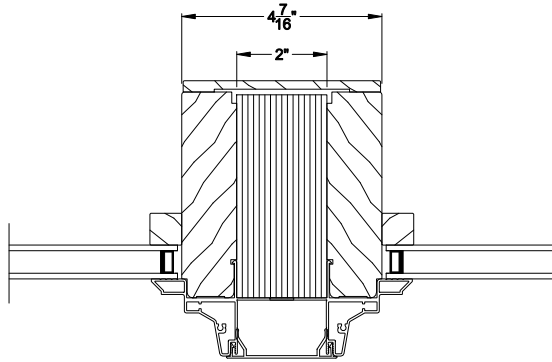
CROSS SECTION DETAILS



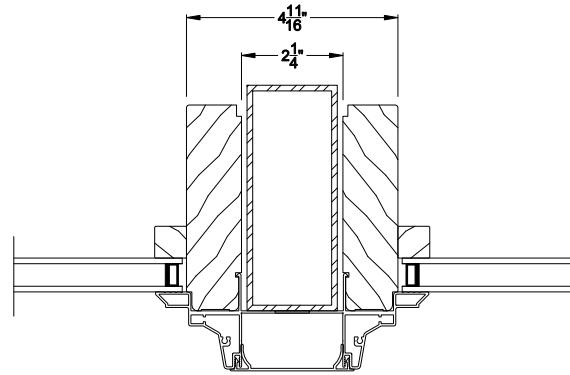
1/16"x4" STEEL REINFORCEMENT
Jamb Section Detail



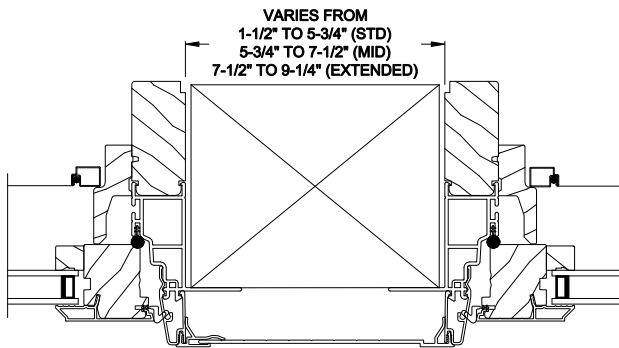
1/2"x4" STEEL OR ALUMINUM REINFORCEMENT
Jamb Section Detail



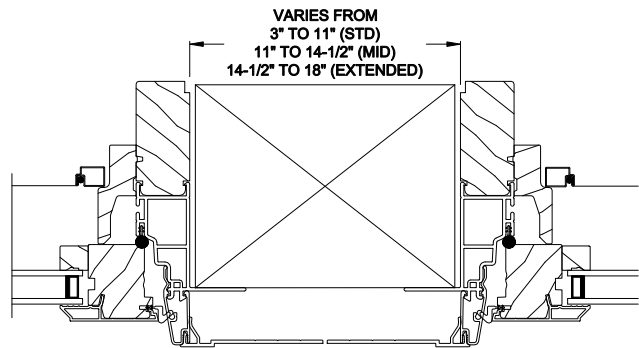
2" LVL REINFORCEMENT
Jamb Section Detail



2"x5"x1/8" ALUMINUM TUBE REINFORCEMENT
Jamb Section Detail
(Field Mull Only)



2 PIECE SPREAD MULL
(STD SHOWN)
Jamb Section Detail



3 PIECE SPREAD MULL
(STD SHOWN)
Jamb Section Detail

NOTE: Drawings show typical filed mull applications.

Note: All dimensions are approximate. Weather Shield reserves the right to change specifications without notice.