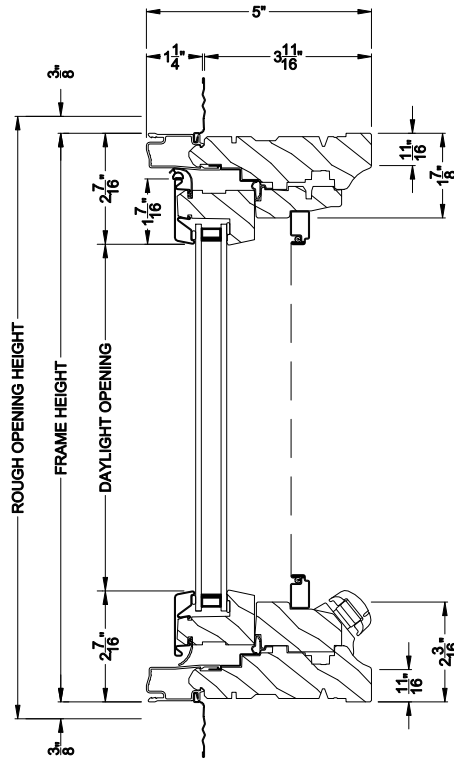


# Weather Shield®

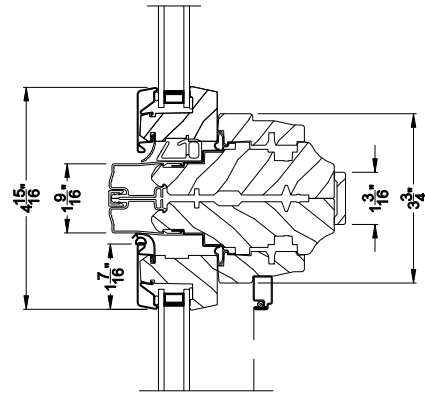
## Classic Series

# Awning Windows

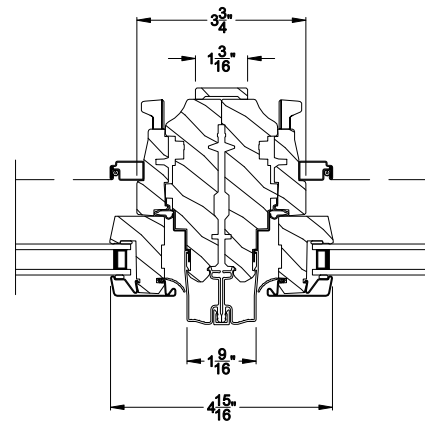
## CROSS SECTION DETAILS



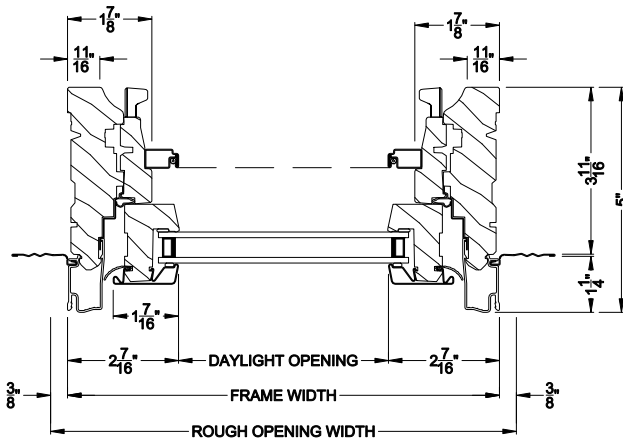
**CLASSIC SERIES AWNING**  
Vertical Section



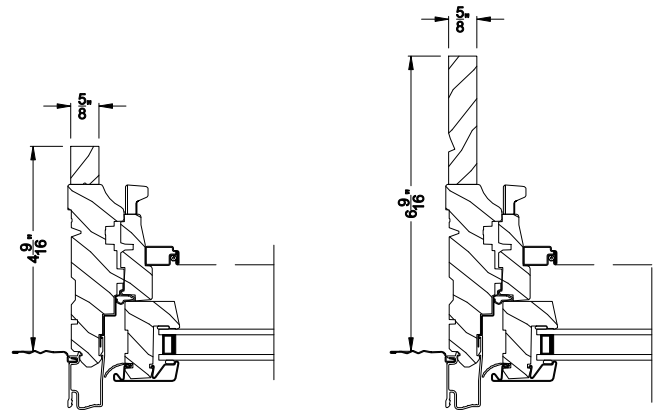
**CLASSIC SERIES AWNING**  
Horizontal Stack Section - Transom over Awning



**CLASSIC SERIES AWNING**  
Vertical Mull Section



**CLASSIC SERIES AWNING**  
Horizontal Section



**CLASSIC SERIES AWNING**  
Jamb Extensions

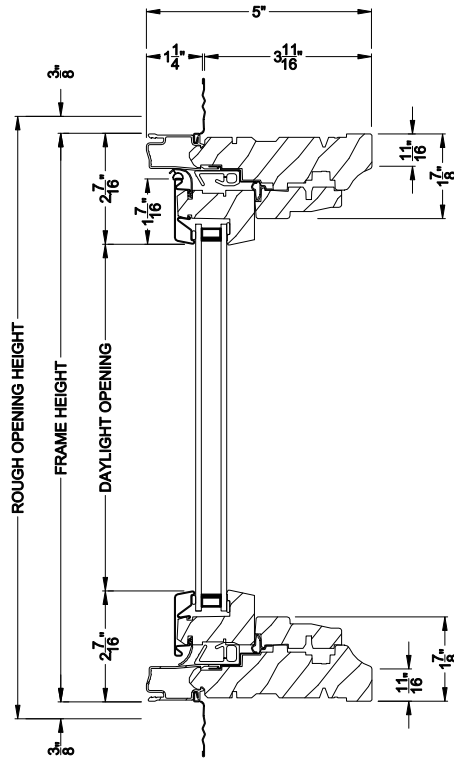
Note: All dimensions are approximate. Weather Shield reserves the right to change specifications without notice.

# Weather Shield®

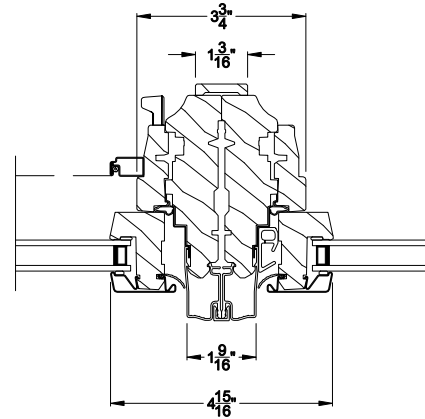
## Classic Series

# Awning Windows

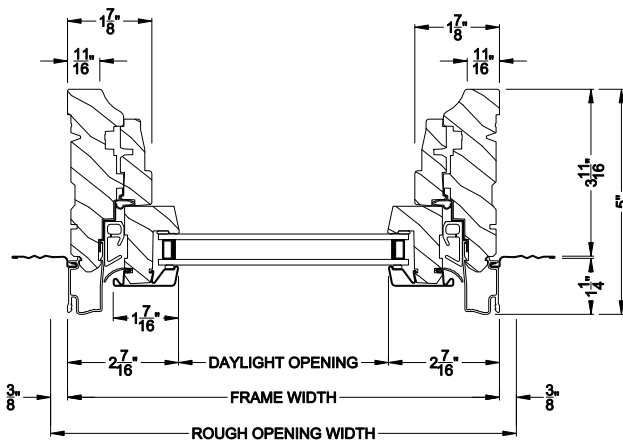
## CROSS SECTION DETAILS



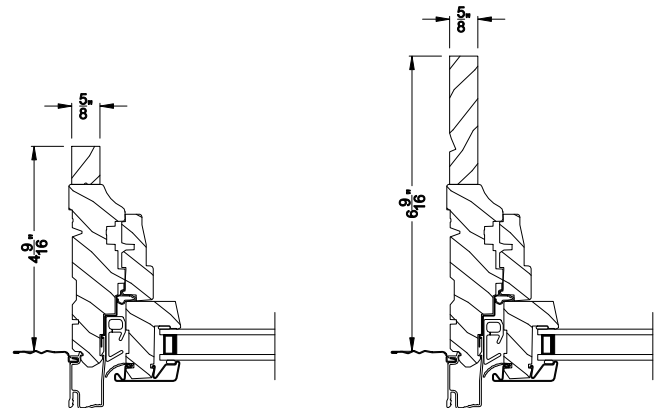
**CLASSIC SERIES AWNING**  
Vertical Section - Stationary



**CLASSIC SERIES AWNING**  
Vertical Mull Section



**CLASSIC SERIES AWNING**  
Horizontal Section - Stationary



**CLASSIC SERIES AWNING**  
Jamb Extensions

Note: All dimensions are approximate. Weather Shield reserves the right to change specifications without notice.